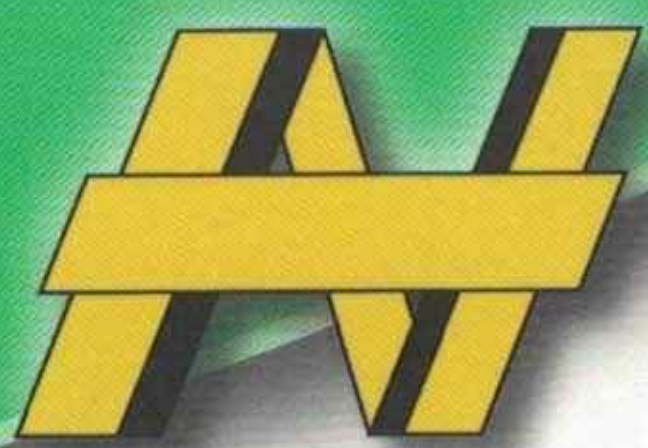
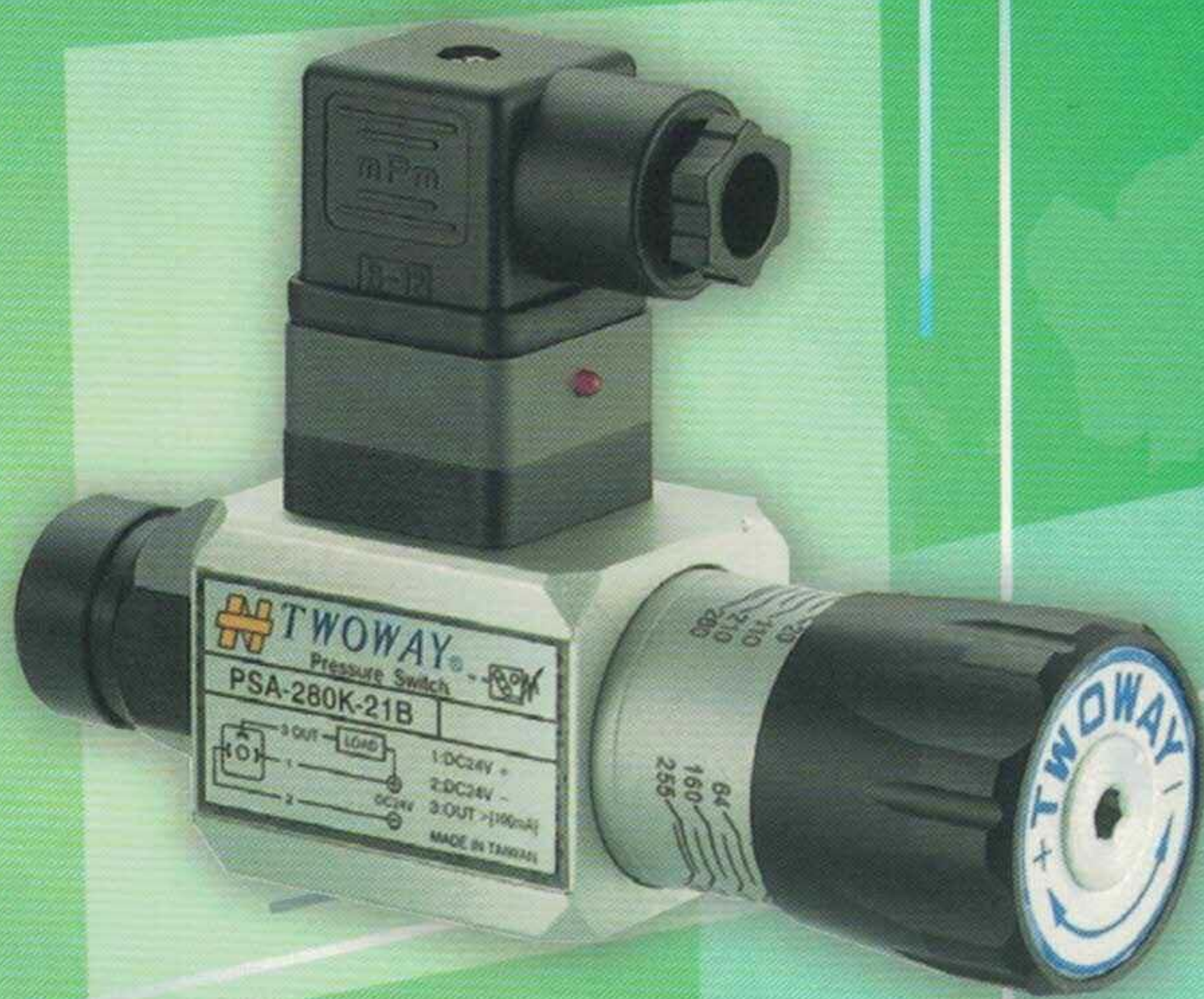


TWOWAY HYDRAULICS



TWOWAY® HYDRAULIC



油電壓力開關

PRESSURE SWITCHES

滿油閥

PRE-FILL VALVES



TWOWAY® HYDRAULIC

油電壓力開關訊號輸出指示燈顯示 PRESSURE SWITCHES(With Indicator LED)



無接點式油電壓力開關 NPN PRESSURE SWITCHES



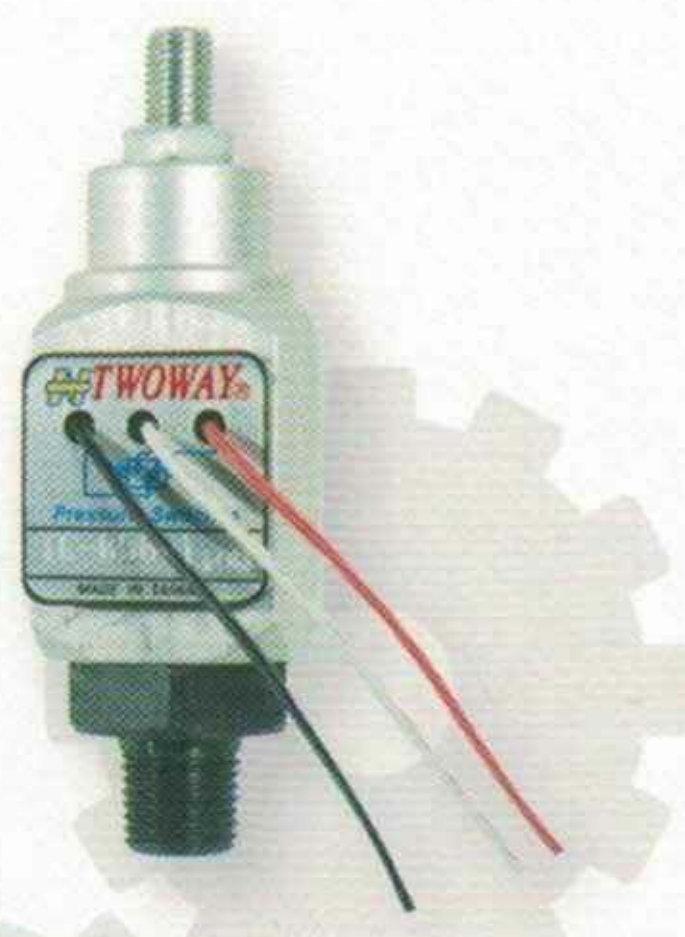
滿油閥 PRE-FILL VALVES



油電壓力開關 PRESSURE SWITCHES

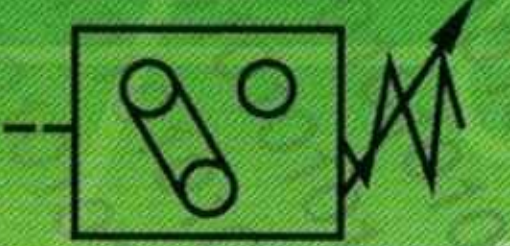


壓差顯示器 DIFFERENTIAL PRESSURE INDICATOR



油電壓力開關系列

Pressure Switch Series



- 壓力直讀式，標準型
Direct Read-out, Standard type
- 接管孔口: 1/4"PT [PF, NPT]內牙
Connection Port : 1/4"PT [PF, NPT]
- 詳細內容請參閱頁數 1
For details see page 1

DNA



- 一般型
General Type
- 接管孔口: 1/4"PT [PF, NPT]內牙
Connection Port : 1/4"PT [PF, NPT]
- 詳細內容請參閱頁數 2
For details see page 2

DNB



- 壓力直讀式，標準型
Direct Read-out, Screw-in type
- 油路承製閥孔，直接插入安裝
Custom manifold designed for direct mount or direct integration
- 詳細內容請參閱頁數 3
For details see page 3

DNC



- 壓力直讀式，面板固定型
Direct Read-out, Panel mounting type
- 接管孔口: 1/4"PT [PF, NPT]內牙
Connection Port : 1/4"PT [PF, NPT]
- 詳細內容請參閱頁數 4
For details see page 4

DNF

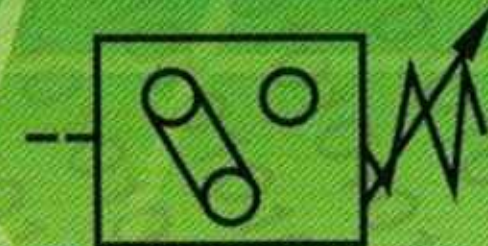


- 壓力直讀式，標準型
Direct Read-out, Heavy-duty micro switch
- 依安裝需求，可當配管式或貼壁式用
Suitable for threaded type or subplate mounting
- 詳細內容請參閱頁數 5
For details see page 5

DNL

油電壓力開關系列

Pressure Switch Series



- 一般型疊加式
Sandwich Type
- 配合ISO-03, ISO-05 [CETOP3,5]電磁閥
Operated with ISO-03, ISO-05 [CETOP 3,5] Solenoid Valves
- 詳細內容請參閱頁數 6
For details see page 6

DMB



- 壓力直讀式，疊加式
Direct Read-out, Sandwich Type
- 配合ISO-03, ISO-05 [CETOP3.5]電磁閥
Operated with ISO-03, ISO-05 [CETOP 3.5] Solenoid Valves
- 詳細內容請參閱頁數 7
For details see page 7

DNM



- 一般型隔膜式
General Diaphragm Type
- 油水氣體多用途
Applicable for oil water and air
- 詳細內容請參閱頁數 8
For details see page 8

DNP



- 壓力直讀式，24VDC電晶體感應開關
Direct Read-out, 24VDC Transistor Sensing Pressure Switch
- 接管孔口:1/4"PT [PF, NPT]內牙
Connection Port : 1/4"PT [PF, NPT]
- 詳細內容請參閱頁數 9
For details see page 9

PSA

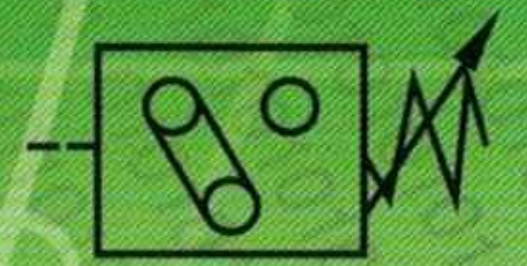


- 一般型，24VDC電晶體感應開關
General Type, 24VDC Transistor Sensing Pressure Switch
- 接管孔口:1/4"PT [PF, NPT]內牙
Connection Port : 1/4"PT [PF, NPT]
- 詳細內容請參閱頁數 10
For details see page 10

PSB

油電壓力開關系列

Pressure Switch Series



- 貼壁壓力直讀式，24VDC電晶體感應開關
Direct Read-out, subplate, 24VDC Transistor Sensing Pressure Switch
- 貼壁型安裝
Subplate mounting type
- 詳細內容請參閱頁數 11
For details see page 11

PSL



- 一般小型壓力開關
Miniature type
- 詳細內容請參閱頁數 12
For details see page 12

TC



- 壓差顯示器
Differential Pressure Indicator
- 詳細內容請參閱頁數 13
For details see page 13

TW



SVF

- 滿油閥
Pre-Fill valves(flange-clamped type)
- 詳細內容請參閱頁數 16
For details see page 16



SCF



SPF

- 法蘭式滿油閥
Pre-Fill valves(flange-clamped type)
- 詳細內容請參閱頁數 17
For details see page 17

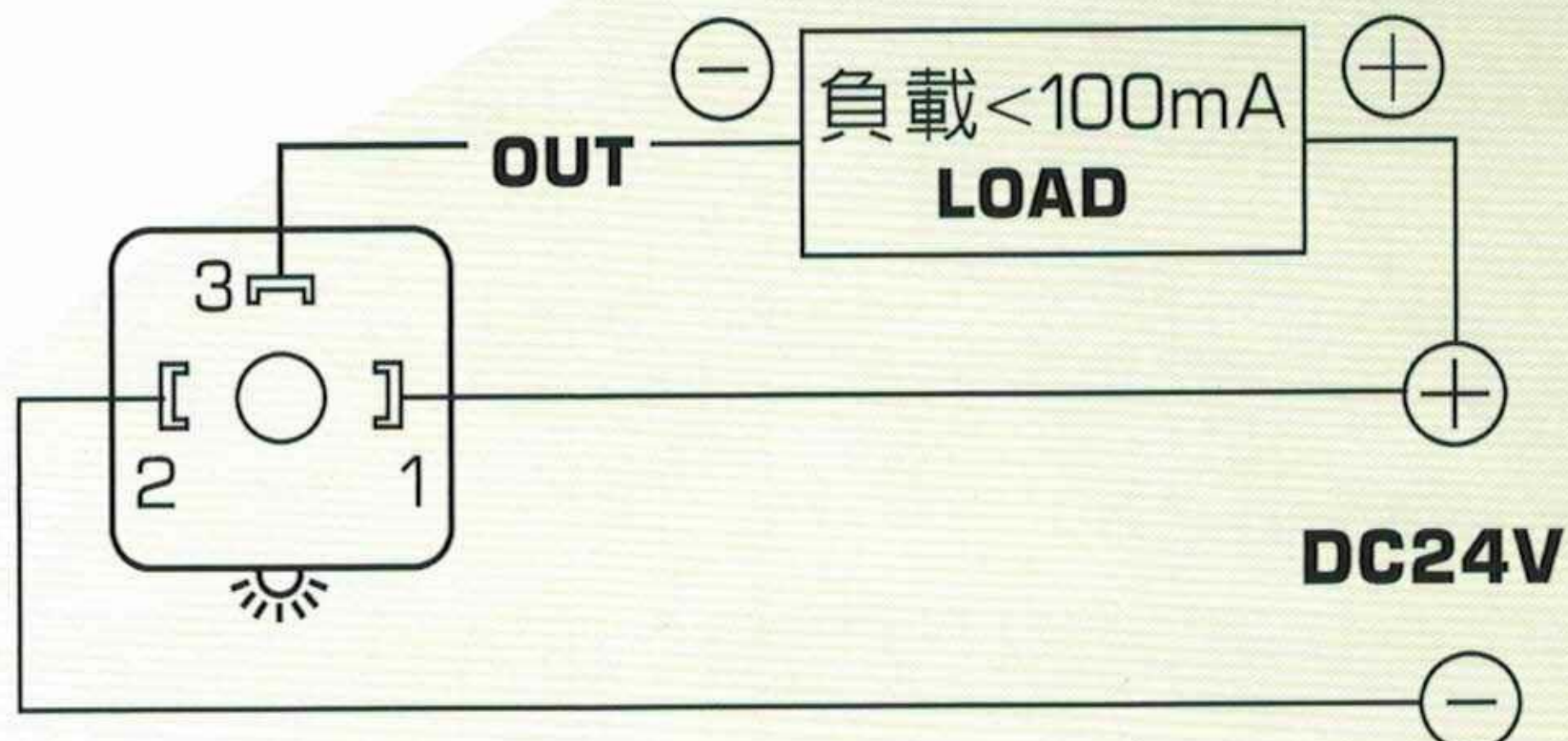


STF



配電圖 WIRING DIAGRAM

Model : PSA, PSB, PSL



電晶體容量 Transistor Capacity

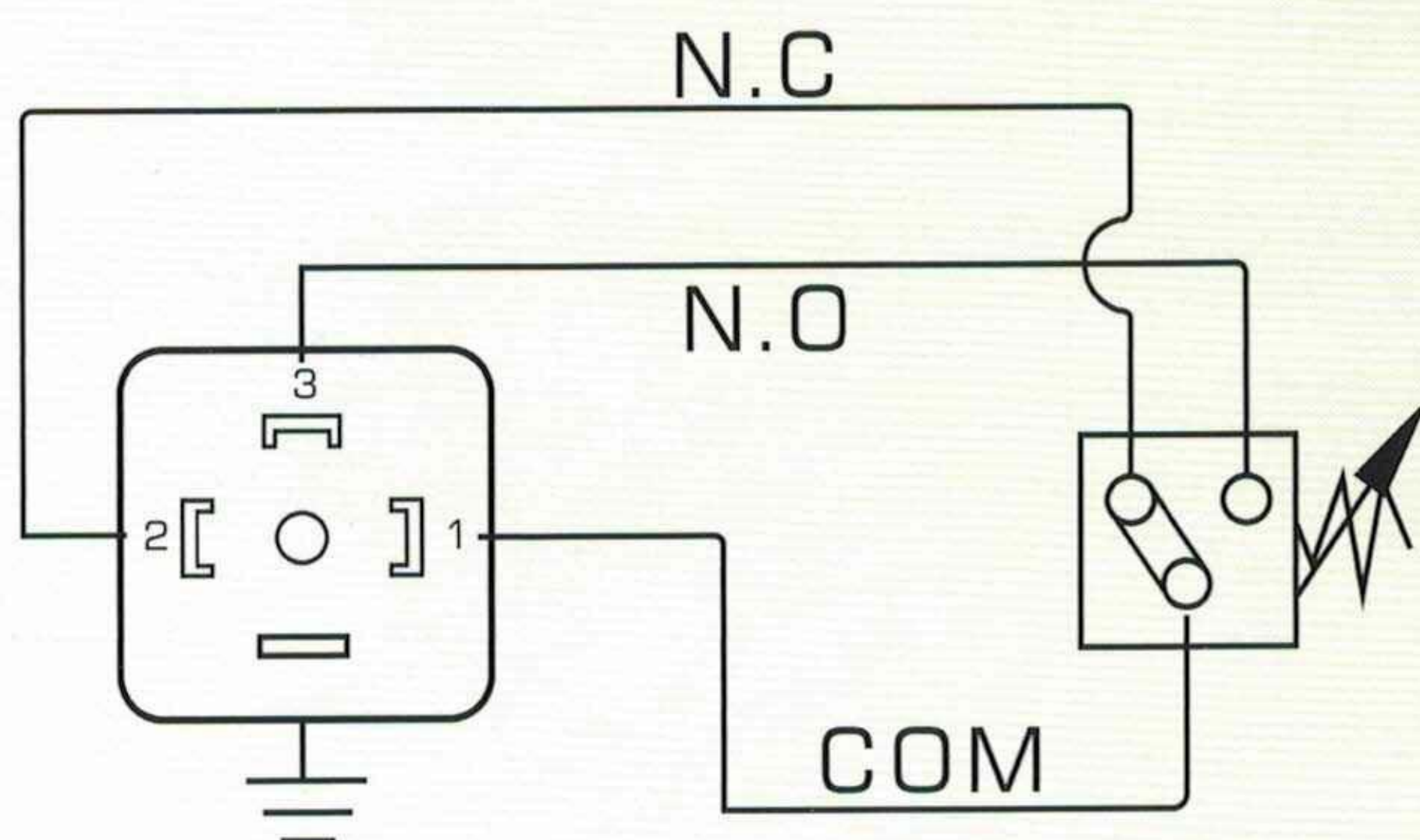
Series : PSA, PSB, PSL

負載/Load : 24VDC < 100mA

壽命/Lifetime : 80,000,000次

油電符號 Graphic Symbol

Model : DNA, DNB, DNC, DNF, DNL, DNP, DNM, DMB, TC



N.C : clamp 1-2
N.O : clamp 1-3

微動開關容量 Switch Capacity

Series : DNL

負載/Load : 10A 125-250VAC

0.3A 125VDC, 0.15A 250VDC

壽命/Lifetime : 2,000,000次

Series : DNA, DNB, DNC, DNF, DNP, DNM, DMB, TC

負載/Load : 22B: 3A 125-250VAC

0.5A 30VDC, 0.15A 125VDC

06i : 24VDC, 250VAC < 0.6A

壽命/Lifetime : 1,000,000次



壓力範圍 PRESSURE RANGE

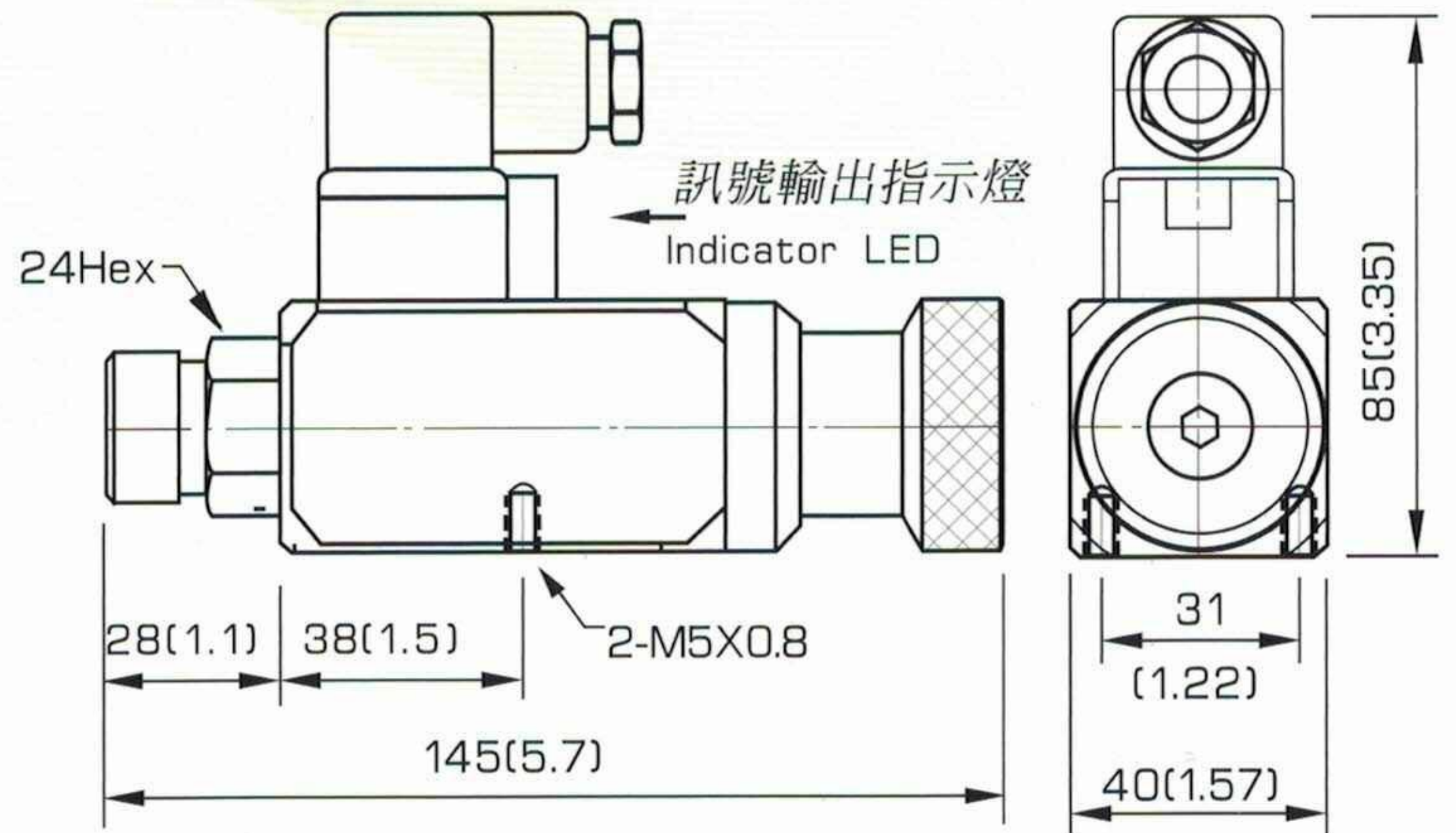
| 型式 Model | 02K | 08K | 20K | 30K | 40K | 50K | 70K | 100K | 150K | 200K | 250K | 280K | 360K | 400K |
|-------------|-----|-----|-----|-----|-----|-----|-----|------|------|------|------|------|------|------|
| PSA | | | | | | ● | | ● | | ● | | ● | | ● |
| PSB | | | | | ● | | ● | | ● | | ● | | | |
| PSL | | | | | | ● | | ● | | ● | | ● | | ● |
| DNA | | | | ● | ● | | ● | ● | ● | | ● | | ● | |
| DNB | | | ● | | ● | | ● | ● | ● | | ● | | | |
| DNC | | | | | ● | | ● | ● | ● | | ● | | ● | |
| DNF | | | | | ● | | ● | ● | ● | | ● | | ● | |
| DNP | ● | ● | ● | | | | | | | | | | | |
| DNL | | | | | | ● | | ● | | ● | | ● | | ● |
| DNM | | | | | ● | | ● | ● | ● | | ● | | ● | |
| DMB | | | | | ● | | ● | | ● | | ● | | | |
| TC | | | | | | ● | | ● | ● | | ● | | ● | |

DNA

油電壓力開關 Pressure Switch



尺寸圖 / Dimension mm(inches)



選購型號 / How to order

DNA-250K-22B

①

②

③

1 型式 / Model

壓力直讀式·標準型
Direct Read-out, Standard type

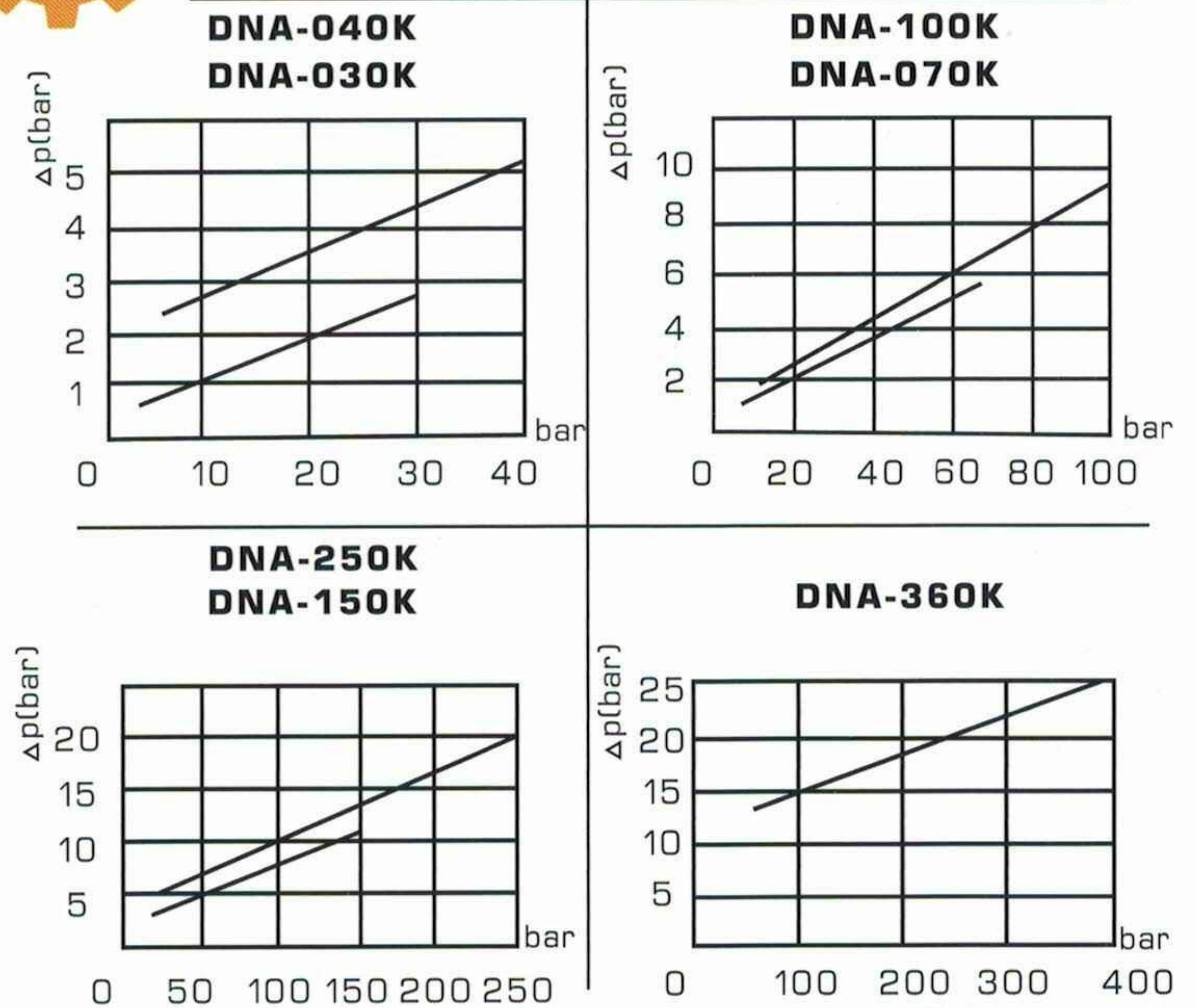
2 壓力範圍 / Pressure Adj. Range

| 型式 Model | 壓力調整範圍 bar Pressure Adj. Range bar | 最高耐壓 bar Max. Pressure bar | 測定壓力 bar Set Pres. bar | 重量 kg Weight |
|-------------|---------------------------------------|-------------------------------|---------------------------|-----------------|
| 030K | 4~30 | 80 | 14 | 1.1 |
| 040K | 8~40 | 150 | 20 | 1.1 |
| 070K | 10~70 | 150 | 30 | 1.1 |
| 100K | 15~100 | 250 | 50 | 1.1 |
| 150K | 20~150 | 250 | 70 | 1.1 |
| 250K | 40~250 | 400 | 100 | 1.1 |
| 360K | 50~360 | 400 | 200 | 1.1 |

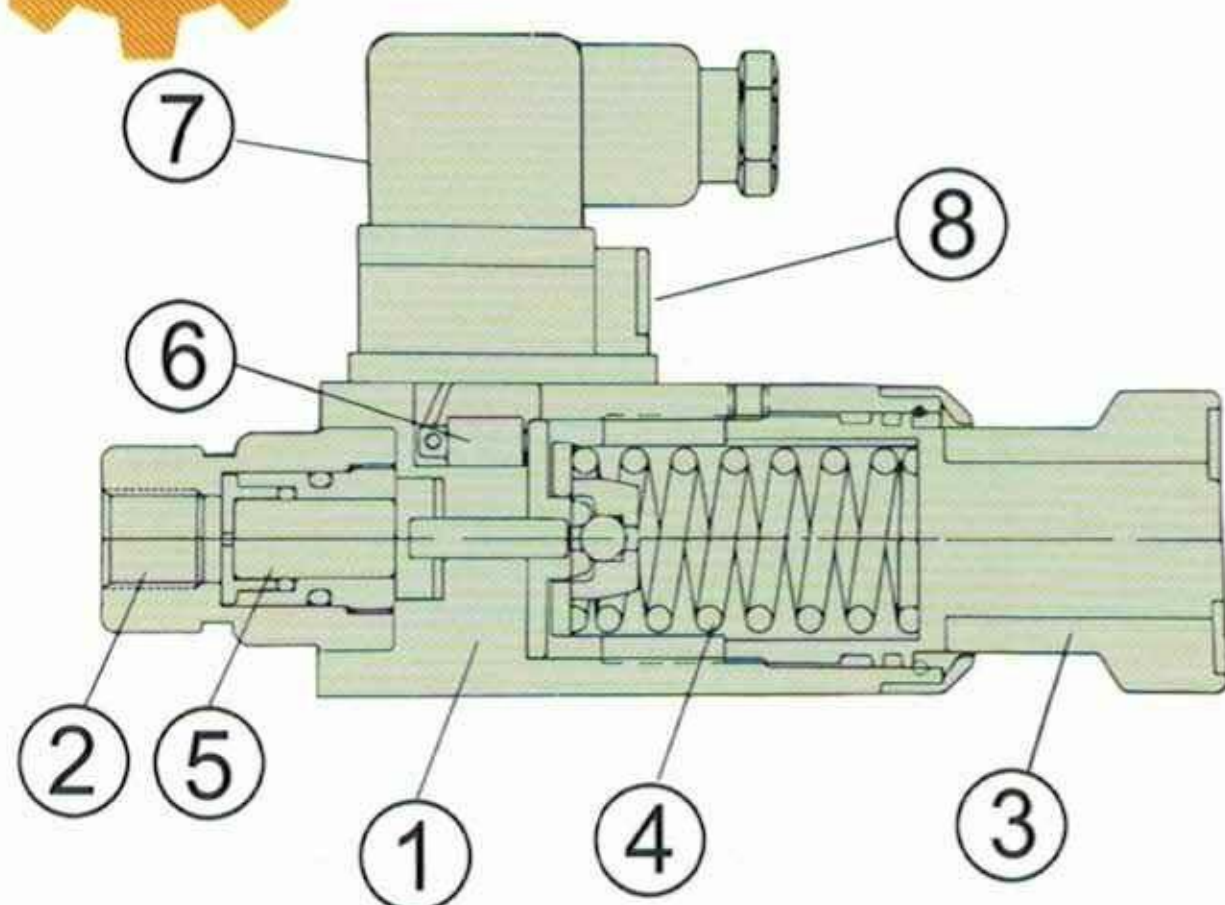
3 22B:無指示燈 Without indicator LED

06i:附指示燈 With indicator LED

性能圖 / Performance Curves

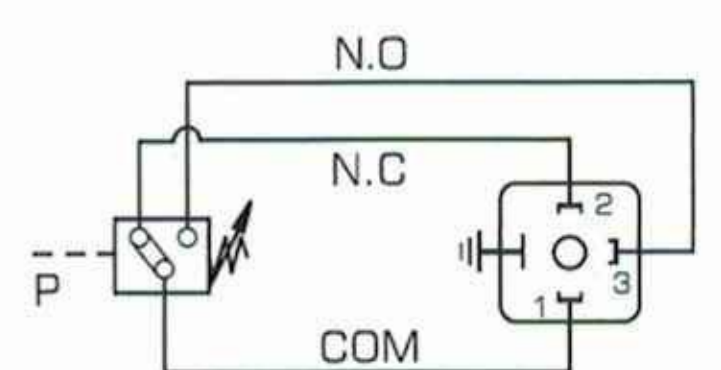


剖面圖 / Schematic Cross-Section



| | |
|--|--------------------------------|
| 1 本體(鑄鐵) Housing (Casting-Iron) | 5 柱塞 Piston |
| 2 接管孔口(1/4"PT/NPT/PF) Connection Port (1/4"PT/NPT/PF) | 6 微動開關 Micro switch |
| 3 壓力調整鈕 Pressure Adj. Knob | 7 電氣接頭 Electrical connector |
| 4 彈簧 Spring | 8 訊號輸出指示燈 Indicator LED |

油電符號表/Graphic Symbol



N.O.=Normally open
N.C.=Normally close

Rating:
22B:3A 250VAC, 0.5A 30VDC
06i:24VDC, 250VAC<0.6A

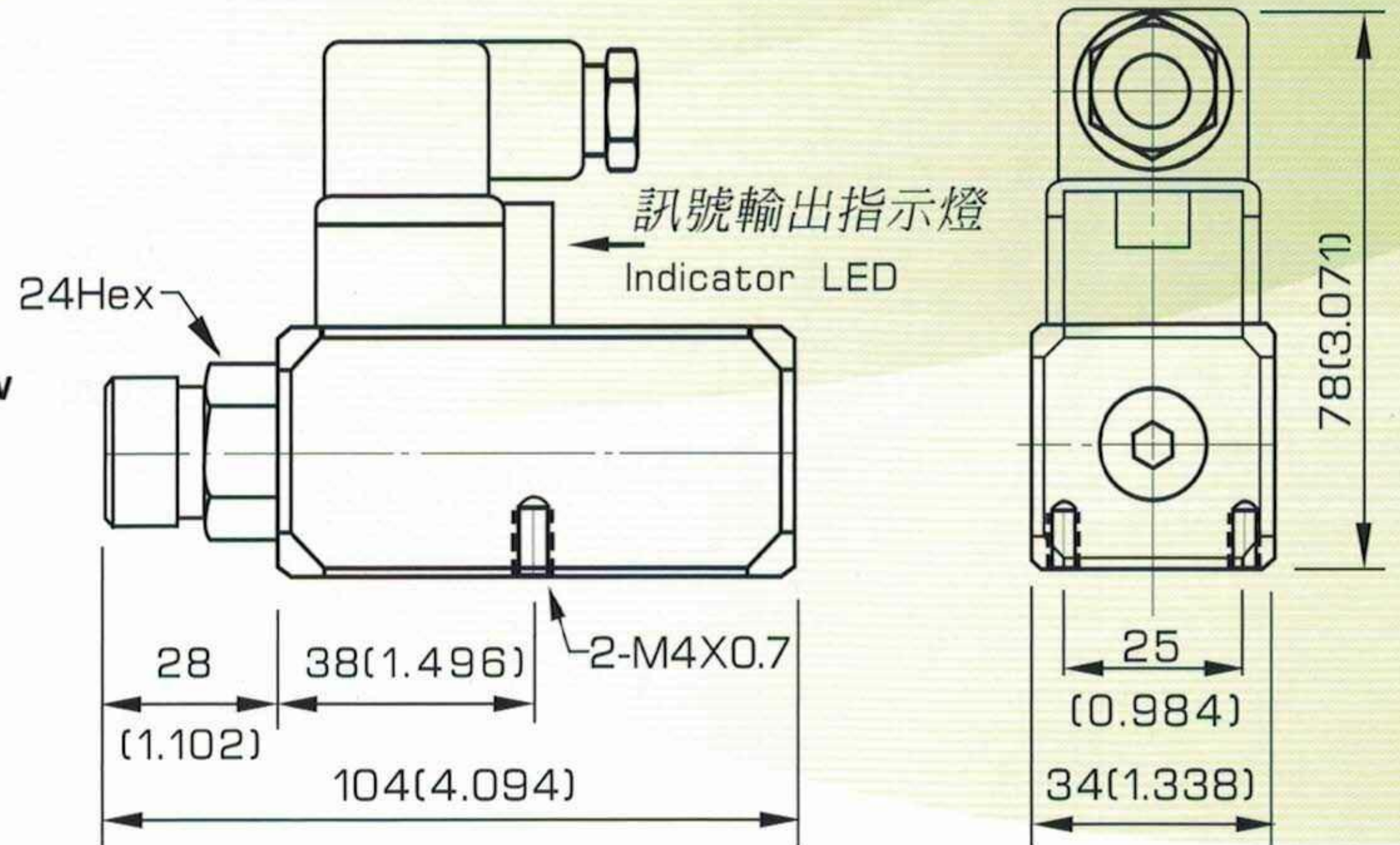
DNB

油電壓力開關 Pressure Switch



調壓固定螺絲
Locking screw

尺寸圖 / Dimension mm(inches)



選購型號 / How to order

DNB-250K-22B

①

②

③

1 型式 / Model

一般型 General type

2 壓力範圍 / Pressure Adj. Range

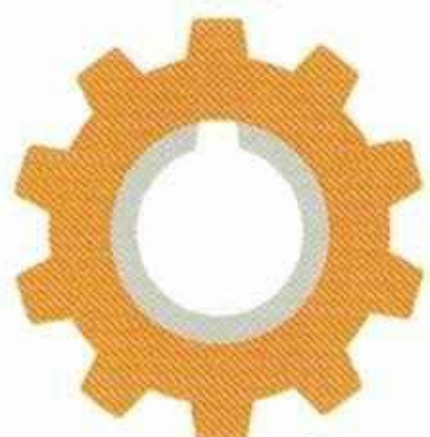
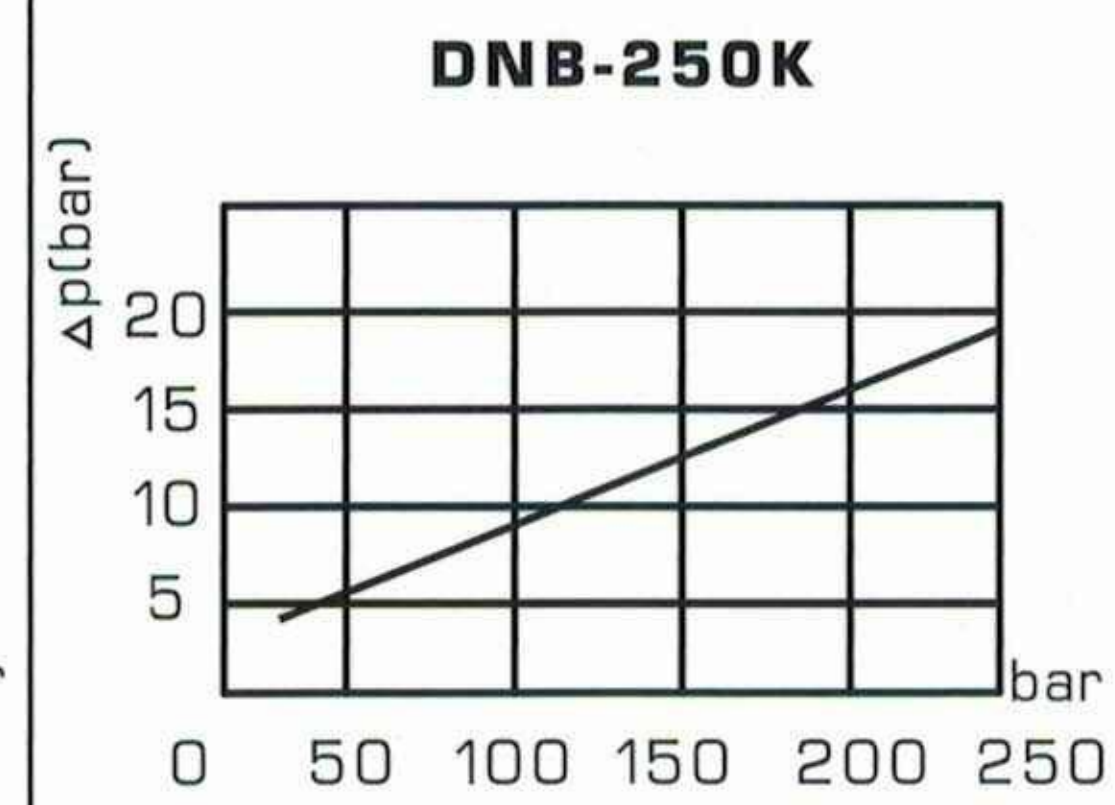
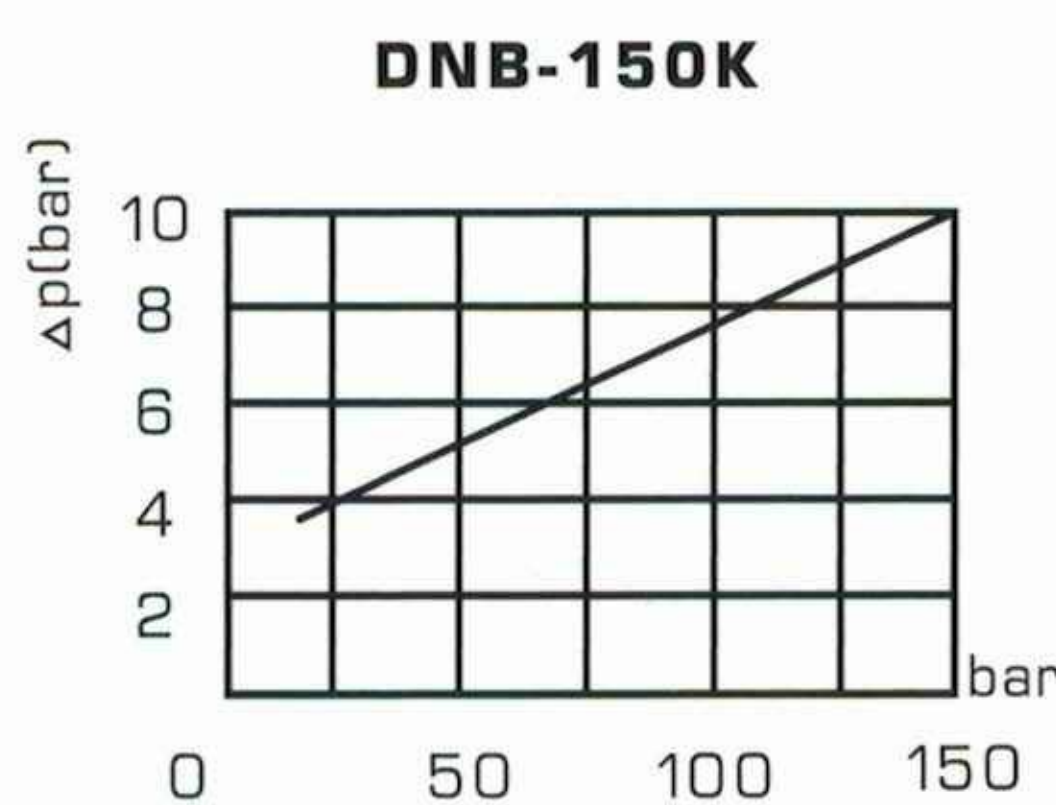
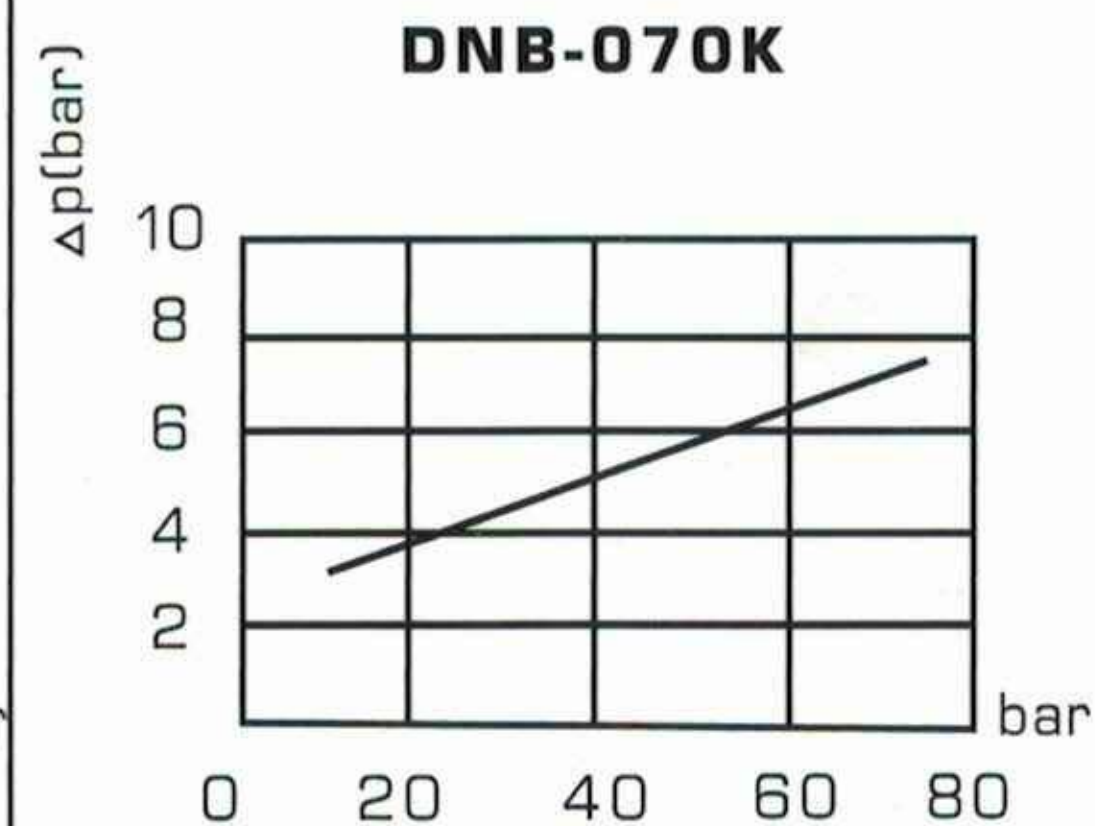
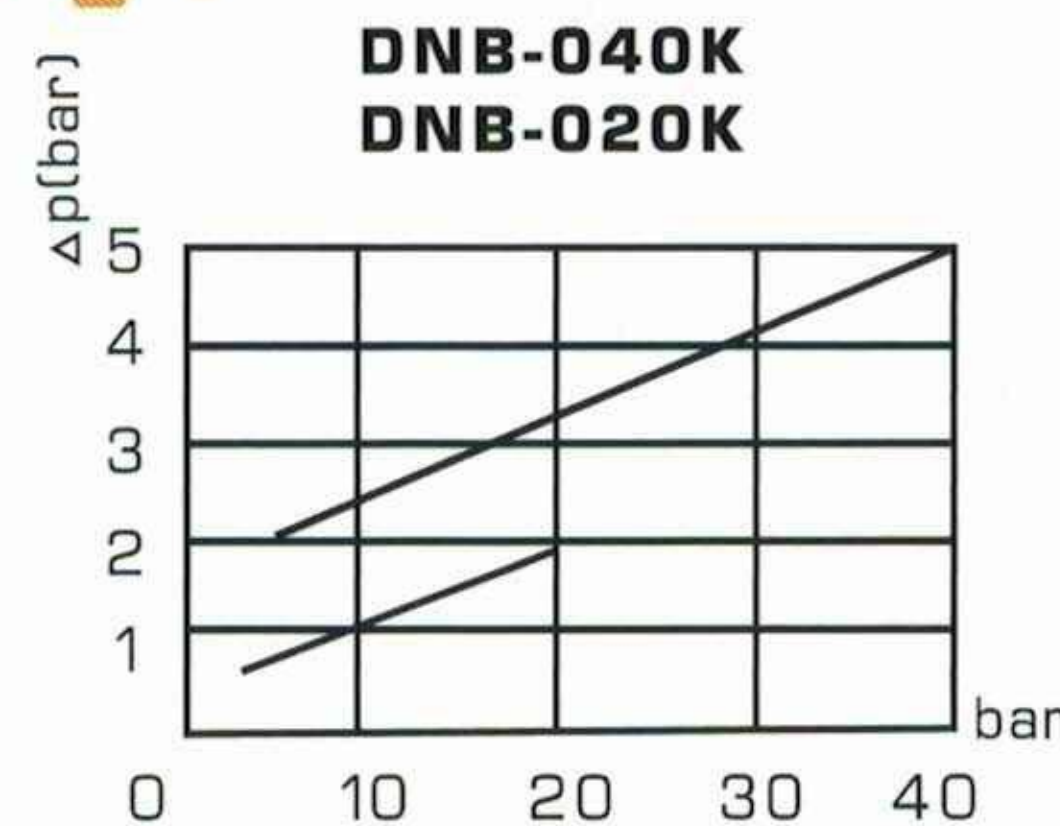
| 型式 Model | 壓力調整範圍 Pressure Adj. Range bar | 最高耐壓 Max. Pressure bar | 測定壓力 Set Pres. bar | 重量 kg Weight |
|-------------|--------------------------------------|------------------------------|--------------------------|-----------------|
| 020K | 2 ~ 20 | 80 | 10 | 0.6 |
| 040K | 8 ~ 40 | 150 | 20 | 0.6 |
| 070K | 10 ~ 70 | 150 | 30 | 0.6 |
| 150K | 20 ~ 150 | 250 | 70 | 0.6 |
| 250K | 40 ~ 250 | 250 | 100 | 0.6 |

3 22B:無指示燈 Without indicator LED

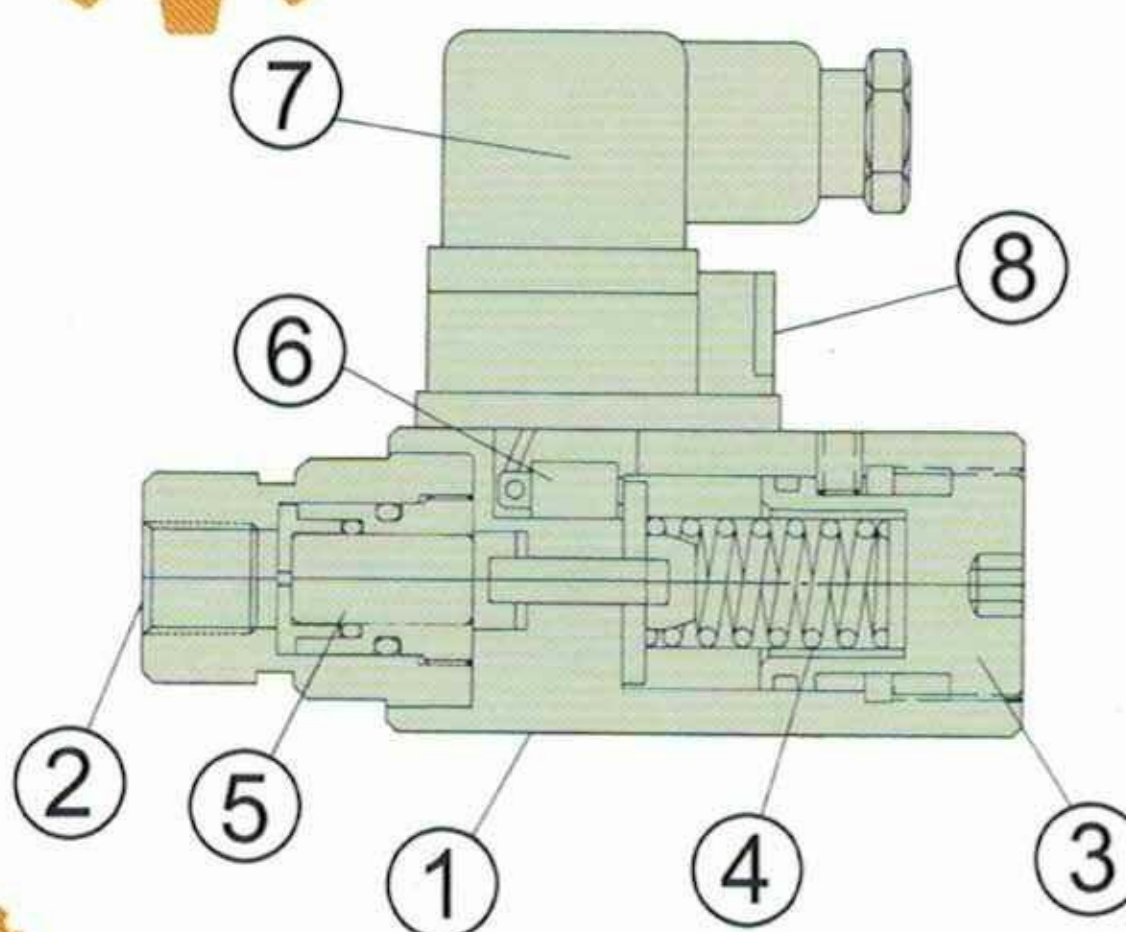
06i:附指示燈 With indicator LED



性能圖 / Performance Curves

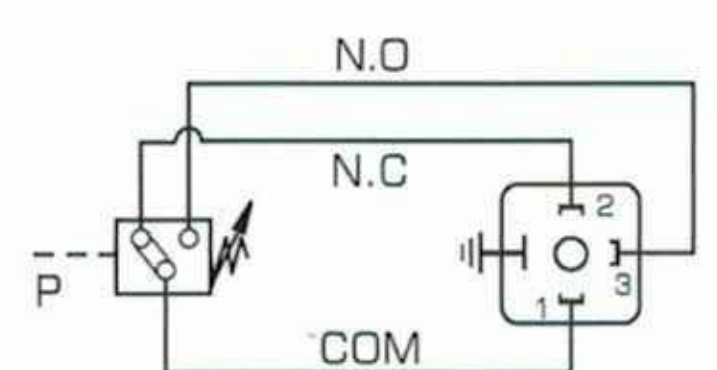


剖面圖 / Schematic Cross-Section



| | |
|--|--------------------------------|
| 1 本體(鑄鐵) Housing (Casting-Iron) | 5 柱塞 Piston |
| 2 接管孔口(1/4"PT/NPT/PF) Connection Port (1/4"PT/ NPT/PF) | 6 微動開關 Micro switch |
| 3 壓力調整鈕 Pressure Adj. Knob | 7 電氣接頭 Electrical connector |
| 4 彈簧 Spring | 8 訊號輸出指示燈 Indicator LED |

油電符號表 / Graphic Symbol



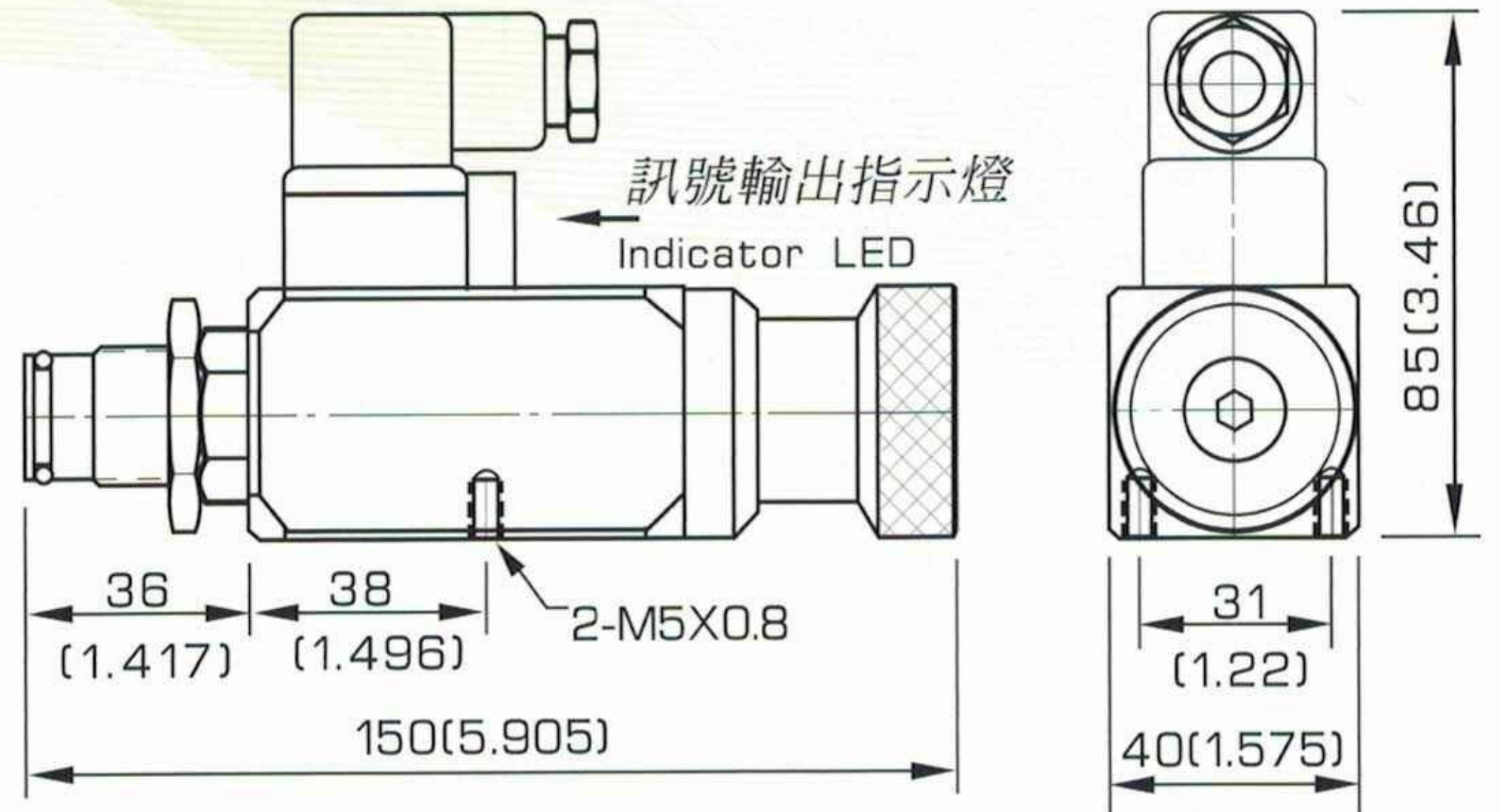
N.O.=Normally open
N.C.=Normally close

Rating:
22B:3A 250VAC, 0.5A 30VDC
06i:24VDC, 250VAC < 0.6A

DNC

油電壓力開關 Pressure Switch

尺寸圖 / Dimension mm(inches)



選購型號 / How to order

DNC-250K-22B

①

②

③

1 型式 / Model

壓力直讀式·插式型
Direct Read-out, Screw-in type

2 壓力範圍 / Pressure Adj. Range

| 型式 Model | 壓力調整範圍 bar Pressure Adj. Range bar | 最高耐壓 bar Max. Pressure bar | 測定壓力 bar Set Pres. bar | 重量 kg Weight |
|-------------|--|----------------------------------|------------------------------|-----------------|
| 040K | 8 ~ 40 | 80 | 20 | 1.1 |
| 070K | 10 ~ 70 | 150 | 30 | 1.1 |
| 100K | 15 ~ 100 | 150 | 50 | 1.1 |
| 150K | 20 ~ 150 | 250 | 70 | 1.1 |
| 250K | 40 ~ 250 | 400 | 100 | 1.1 |
| 360K | 50 ~ 360 | 400 | 200 | 1.1 |

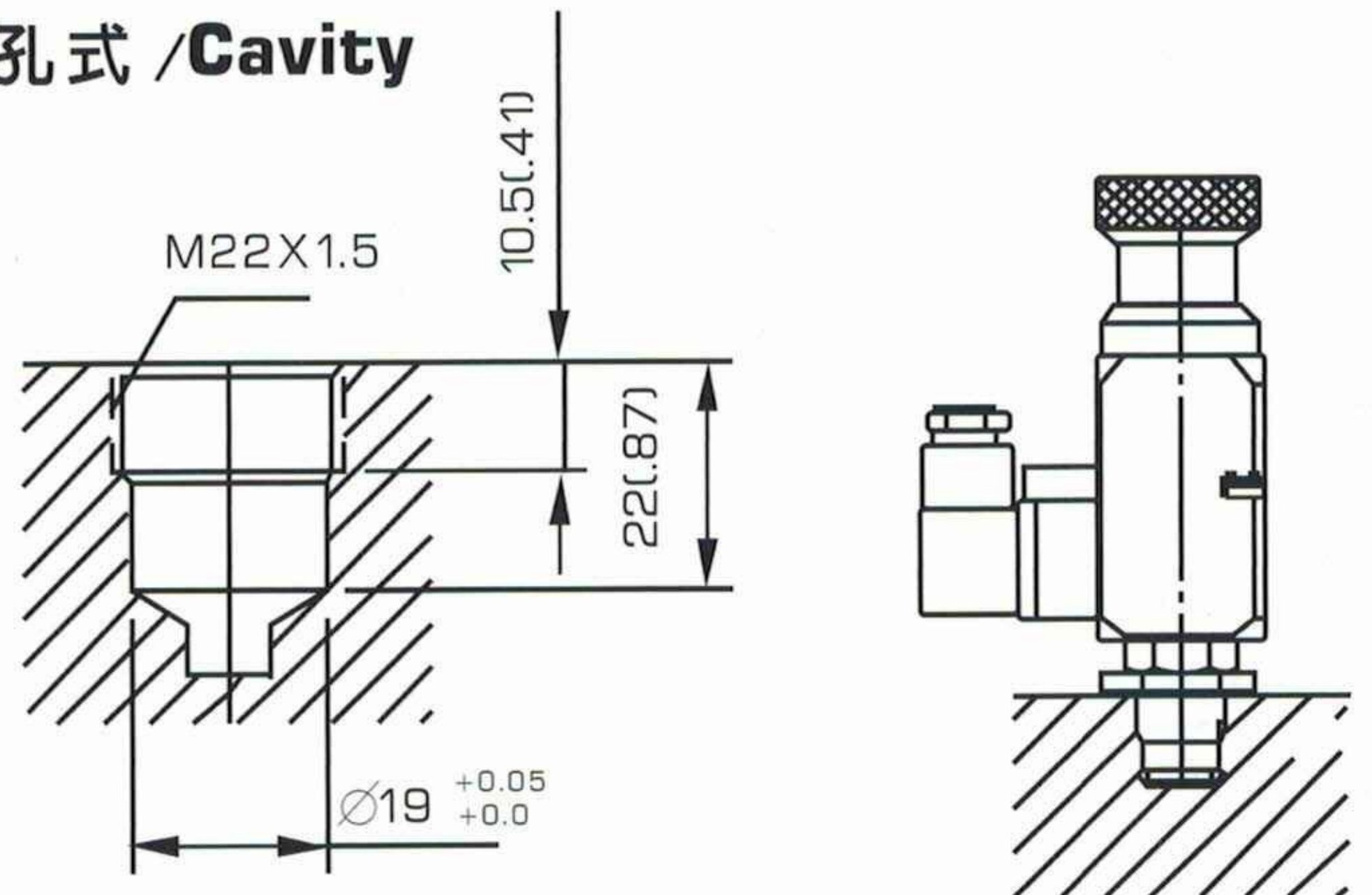
3 22B: 無指示燈 Without indicator LED 06i: 附指示燈 With indicator LED



性能圖 / Performance Curves

請參閱 DNA 表列
See Table DNA Series.

插孔式 / Cavity



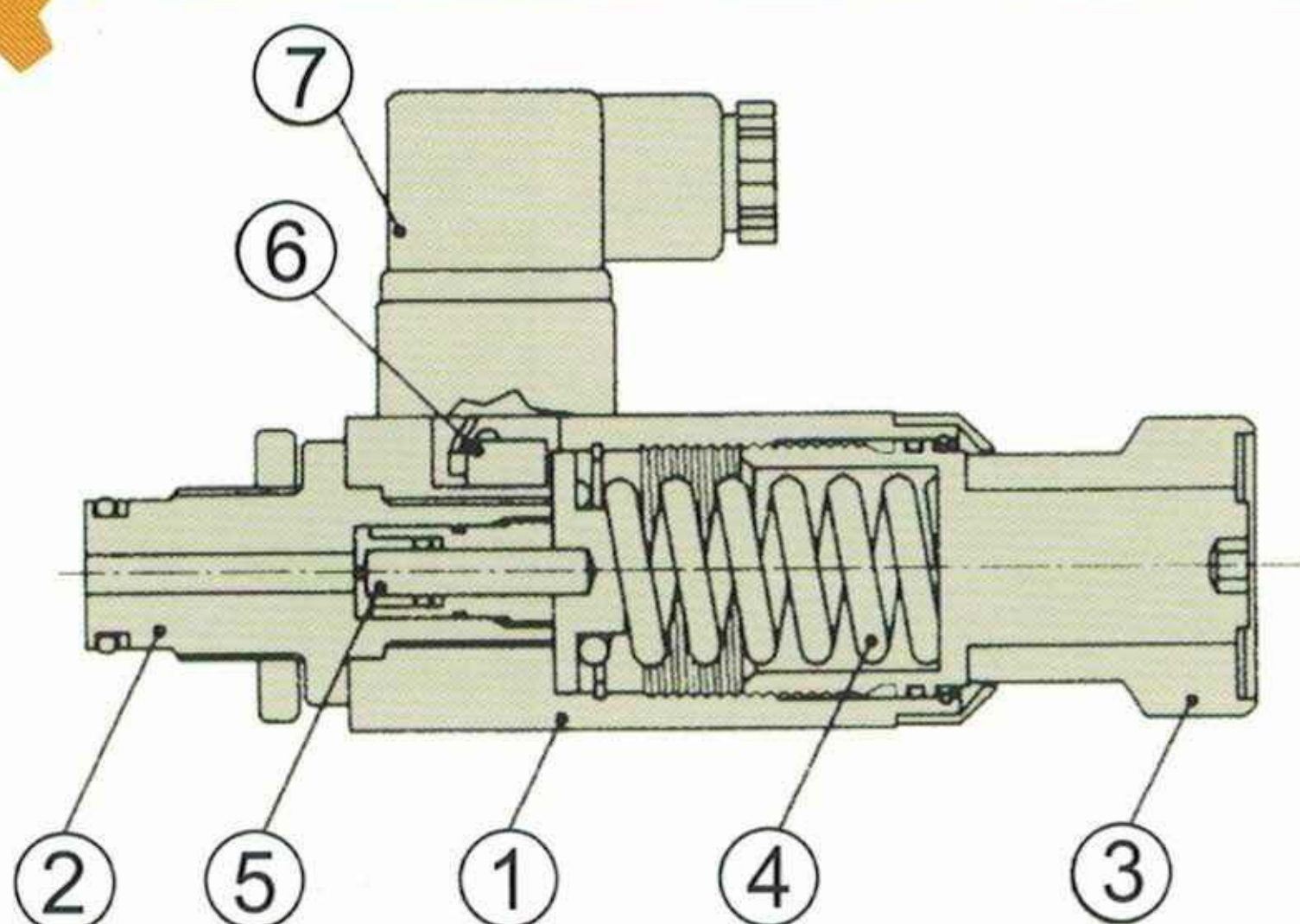
油電符號表 / Graphic Symbol

N.O = Normally open
N.C = Normally close

Rating:
22B: 3A 250VAC, 0.5A 30VDC
06i: 24VDC, 250VAC < 0.6A



剖面圖 / Schematic Cross-Section

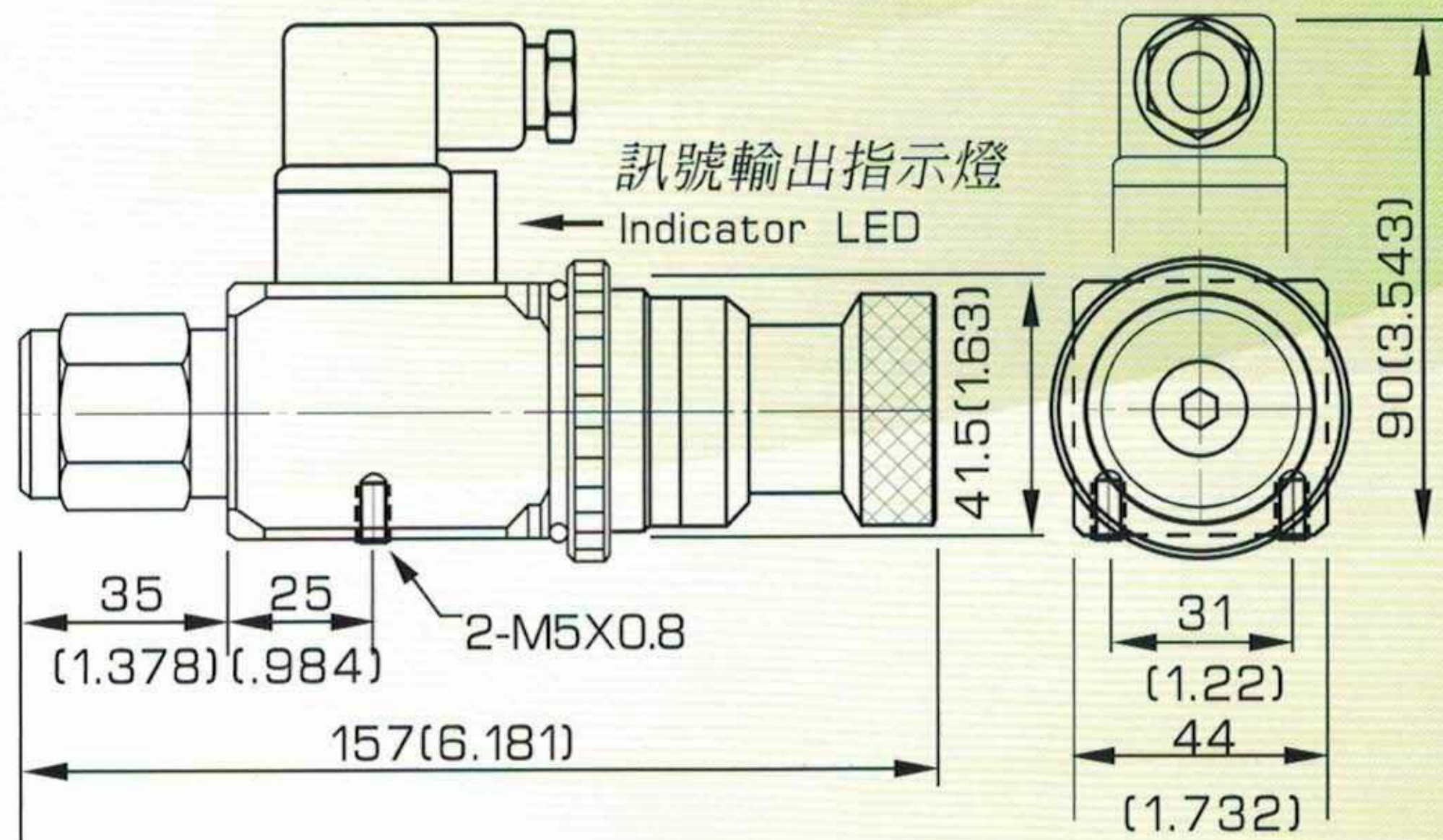


| | | | |
|---|--|---|------------------------------|
| 1 | 本體(鑄鐵) Housing (Casting-Iron) | 5 | 伺服柱塞 Servo-Piston |
| 2 | 接管孔口(1/4"PT) Connection Port (1/4"PT) | 6 | 微動開關 Micro switch |
| 3 | 壓力調整鈕 Pressure Adj. Knob | 7 | 電氣接頭 Electrical Connector |
| 4 | 彈簧 Spring | | |

DNF 油電壓力開關 Pressure Switch



尺寸圖 / Dimension mm(inches)



選購型號 / How to order

DNF-250K-22B

①

1 型式 / Model

壓力直讀式·面板固定型
Direct read-out, Panel mounting type

②

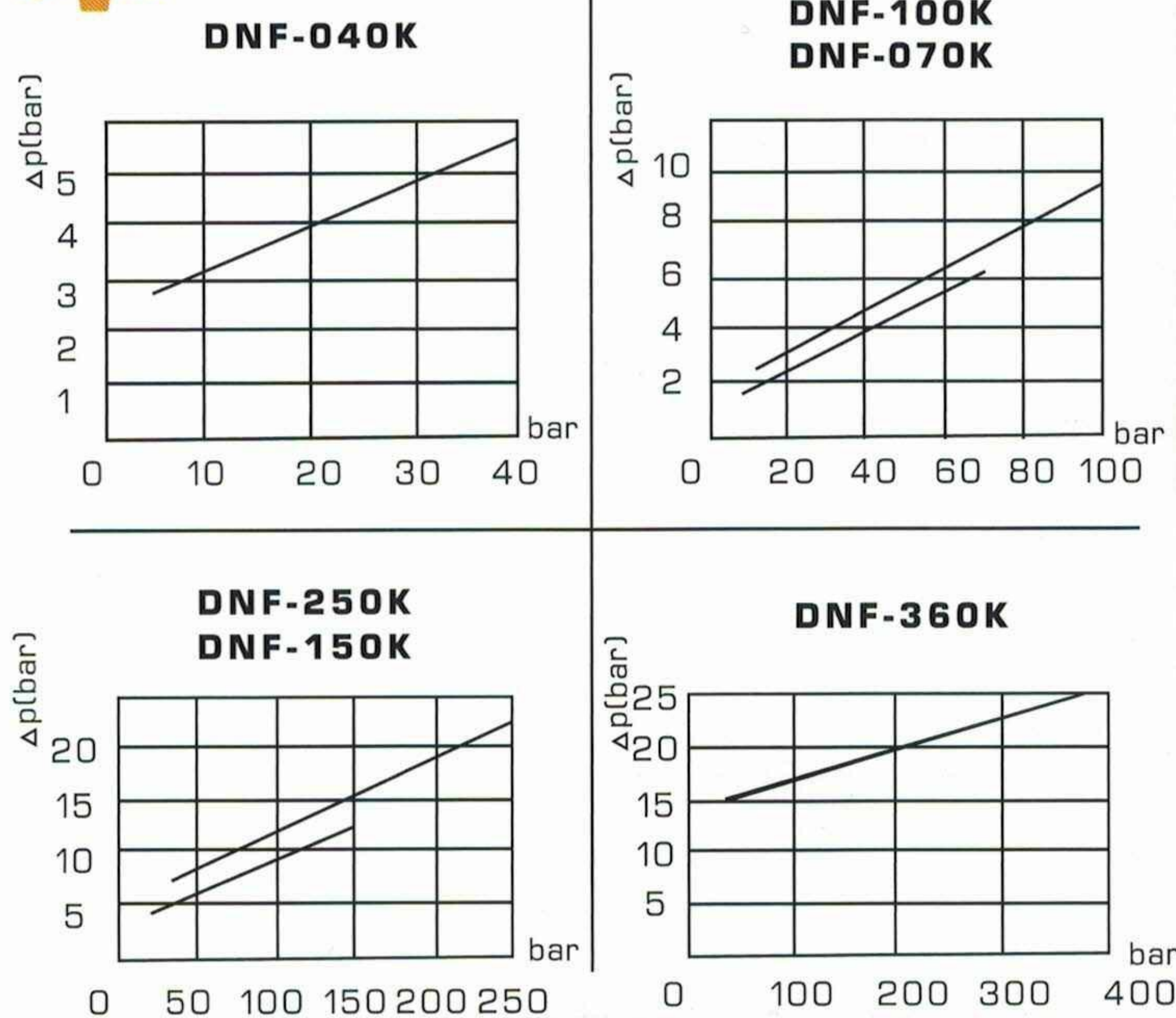
2 壓力範圍 / Pressure Adj. Range

| 型式 Model | 壓力調整範圍 bar Pressure Adj. Range bar | 最高耐壓 bar Max. Pressure bar | 測定壓力 bar Set Pres. bar | 重量 kg Weight |
|-------------|---------------------------------------|-------------------------------|---------------------------|-----------------|
| 040K | 6 ~ 40 | 150 | 20 | 1.2 |
| 070K | 10 ~ 70 | 150 | 30 | 1.2 |
| 100K | 15 ~ 100 | 250 | 50 | 1.2 |
| 150K | 20 ~ 150 | 200 | 70 | 1.2 |
| 250K | 40 ~ 250 | 400 | 100 | 1.2 |
| 360K | 50 ~ 360 | 400 | 200 | 1.2 |

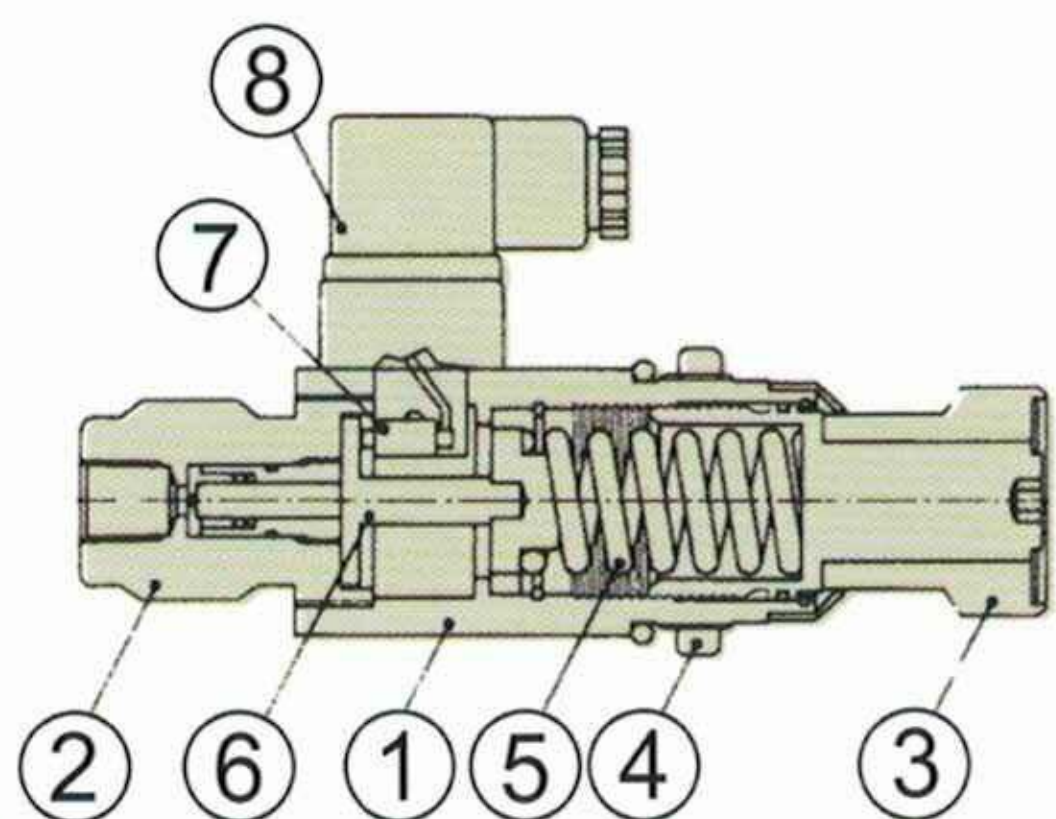
3 22B: 無指示燈 Without indicator LED 06i: 附指示燈 With indicator LED



性能圖 / Performance Curves

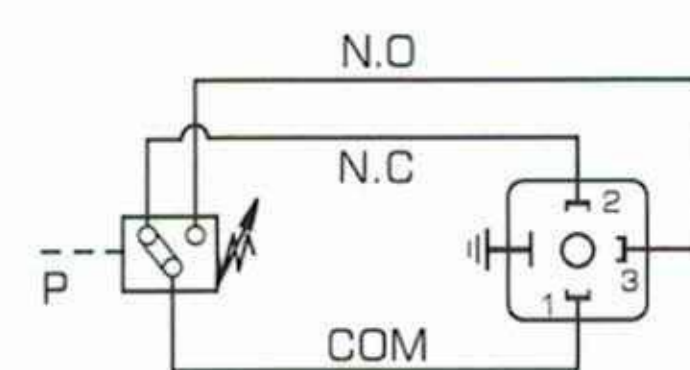


剖面圖 / Schematic Cross-Section



| | |
|--|--------------------------------|
| 1 本體(鑄鐵) Housing (Casting-Iron) | 5 彈簧 Spring |
| 2 接管孔口(1/4" PT) Connection Port (1/4" PT) | 6 伺服柱塞 Servo-Piston |
| 3 壓力調整鈕 Pressure Adj. Knob | 7 微動開關 Micro switch |
| 4 面板固定螺帽 Knob Set Screw | 8 電氣接頭 Electrical Connector |

油電符號表 / Graphic Symbol



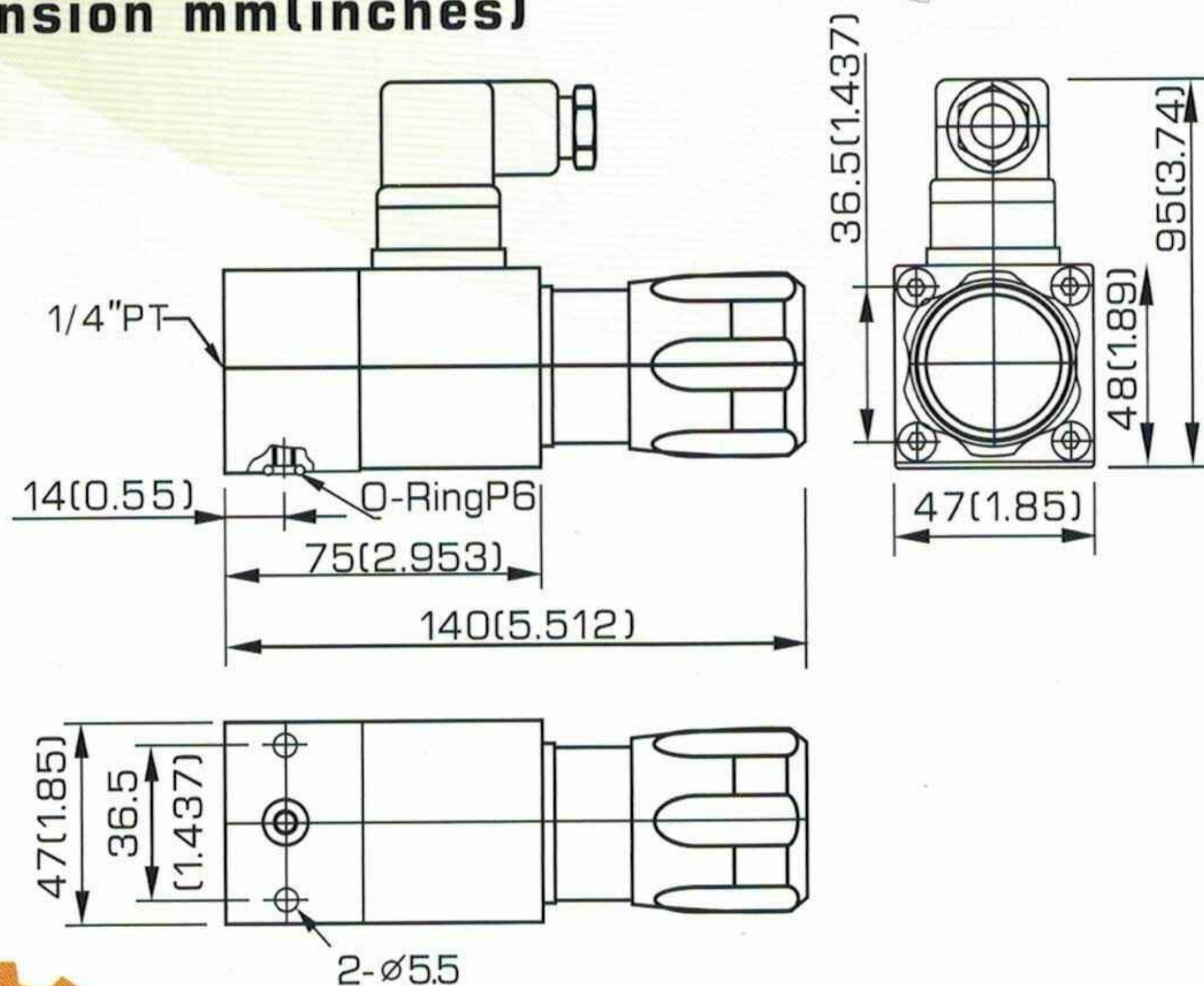
N.O.=Normally open
N.C.=Normally close

Rating:
22B: 3A 250VAC, 0.5A 30VDC
06i: 24VDC, 250VAC < 0.6A

DNL

油電壓力開關 Pressure Switch

尺寸圖 / Dimension mm(inches)



選購型號 / How to order

DNL-100K-21B

①

②

③

① 型式 / Model

壓力直讀式·標準型
Direct read-out, Heavy-duty micro switch

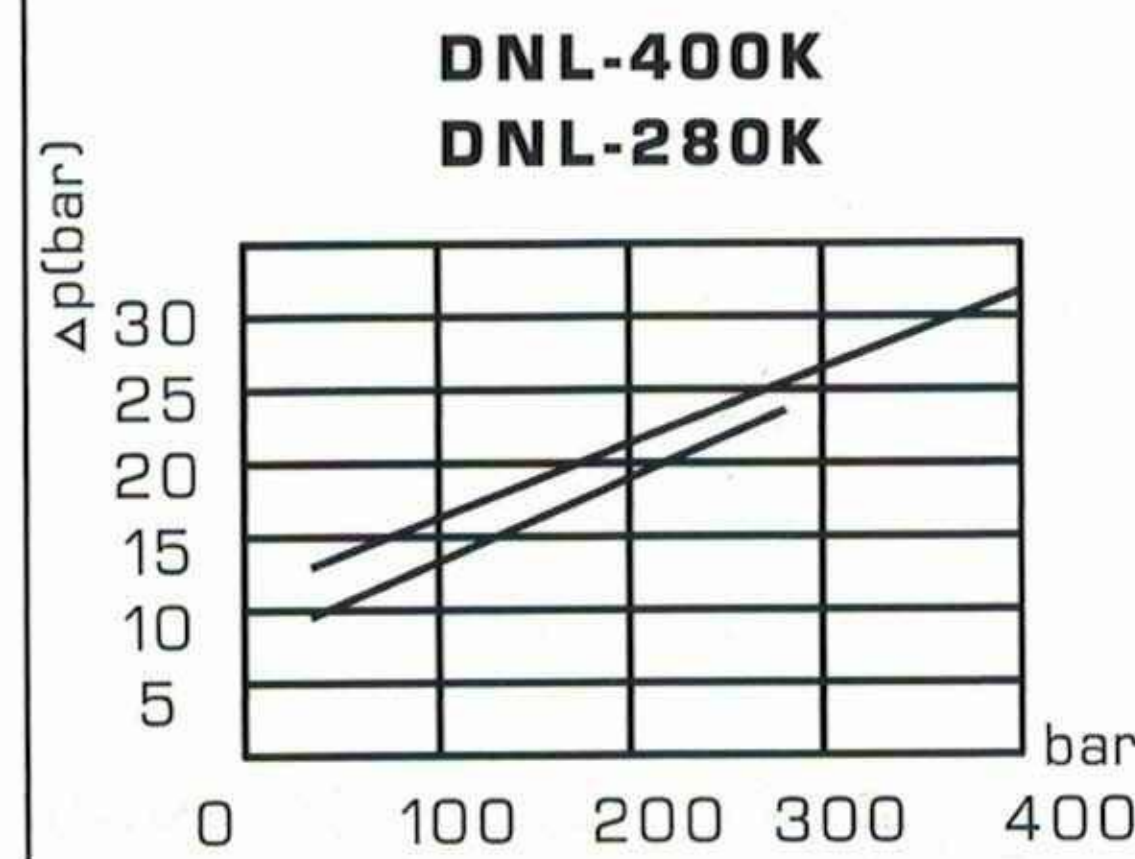
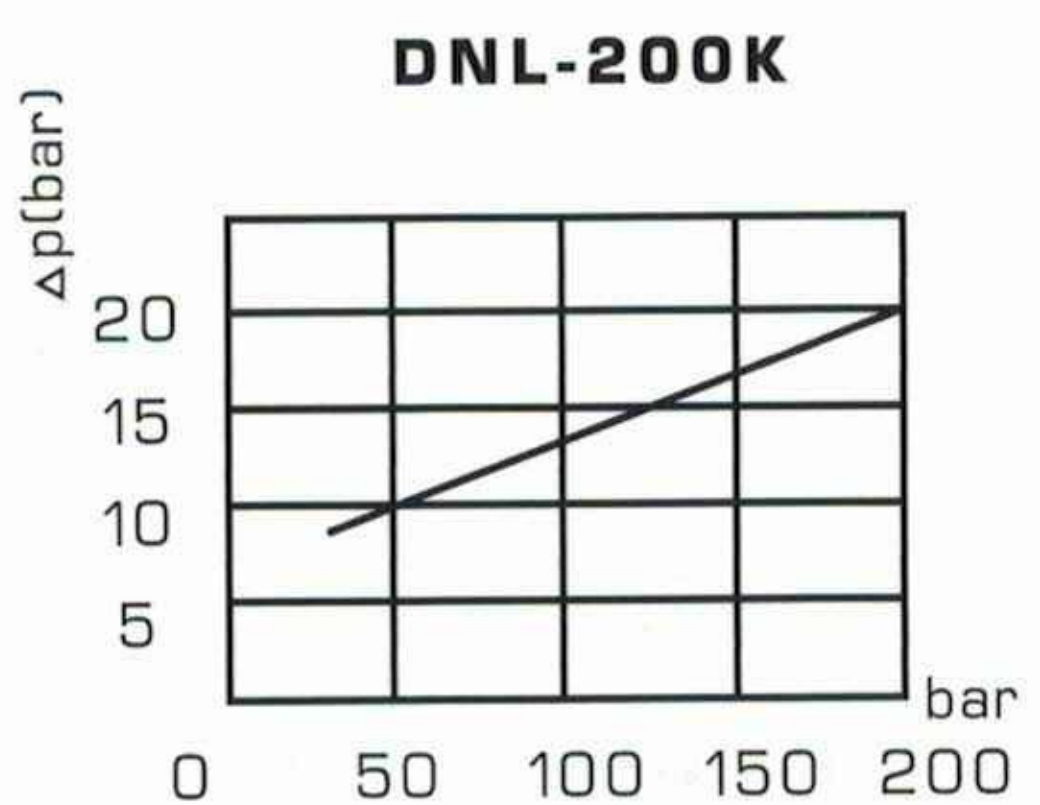
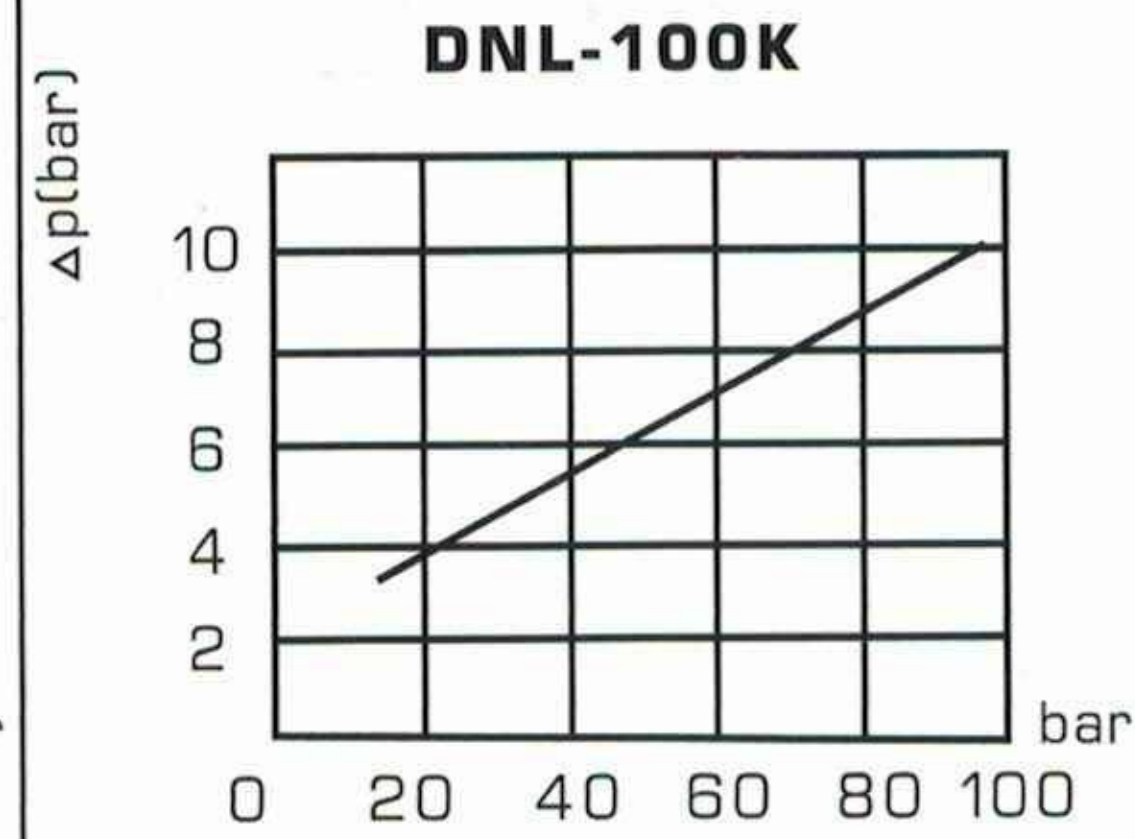
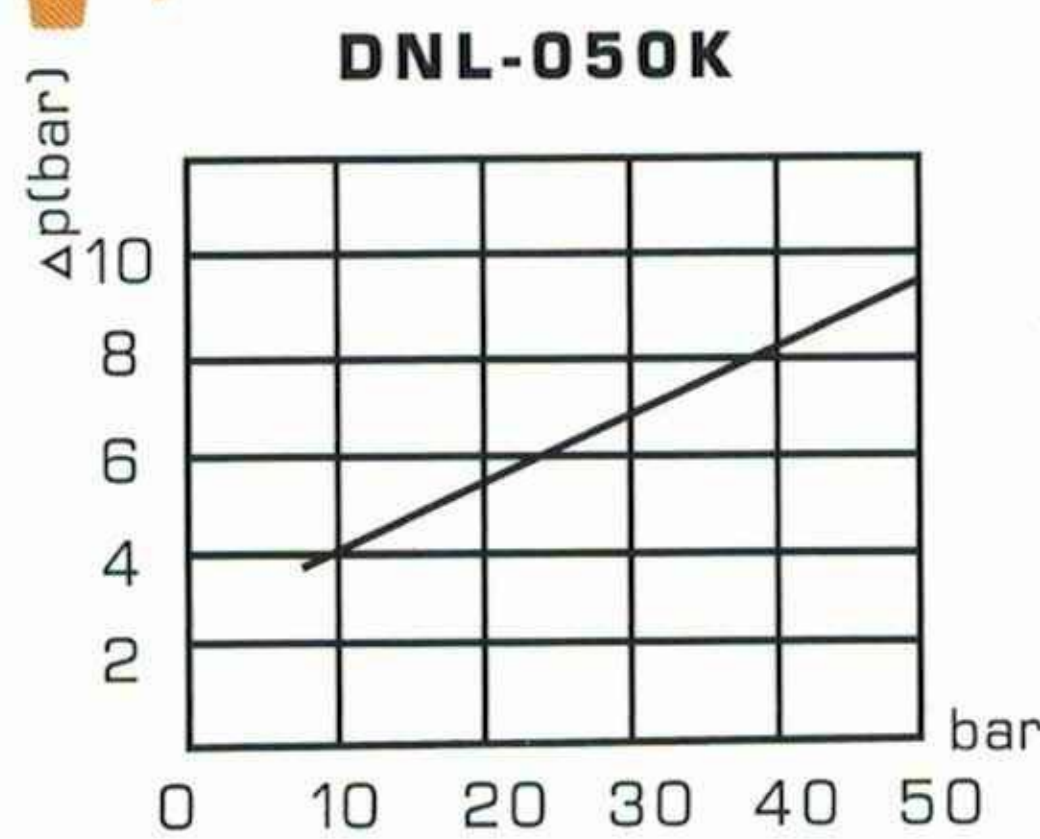
② 壓力範圍 / Pressure Adj. Range

| 型式 Model | 壓力調整範圍 bar Pressure Adj. Range bar | 最高耐壓 bar Max. Pressure bar | 測定壓力 bar Set Pres. bar | 重量 kg Weight |
|-------------|---------------------------------------|-------------------------------|---------------------------|-----------------|
| 050K | 8~50 | 200 | 25 | 1.0 |
| 100K | 15~100 | 300 | 45 | 1.0 |
| 200K | 30~200 | 300 | 100 | 1.0 |
| 280K | 40~280 | 350 | 110 | 1.0 |
| 400K | 50~400 | 400 | 180 | 1.0 |

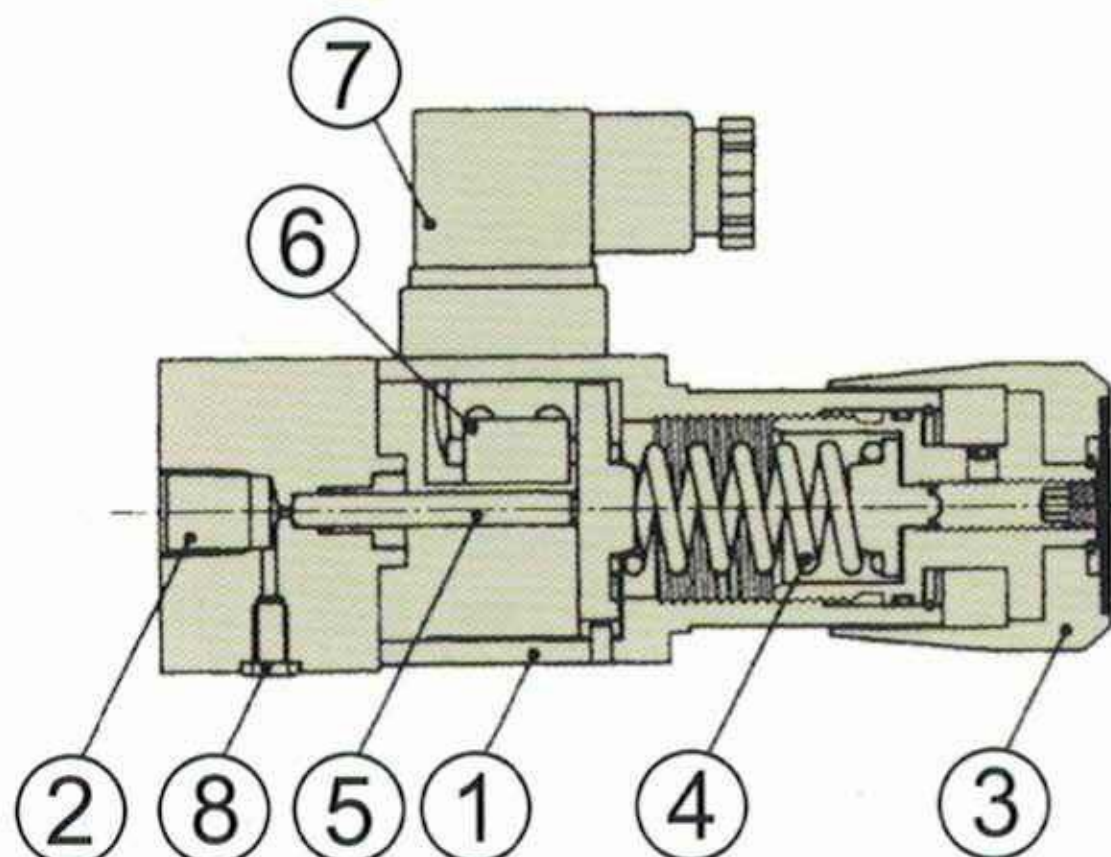
③ 設計資料 / Design Number



性能圖 / Performance Curves

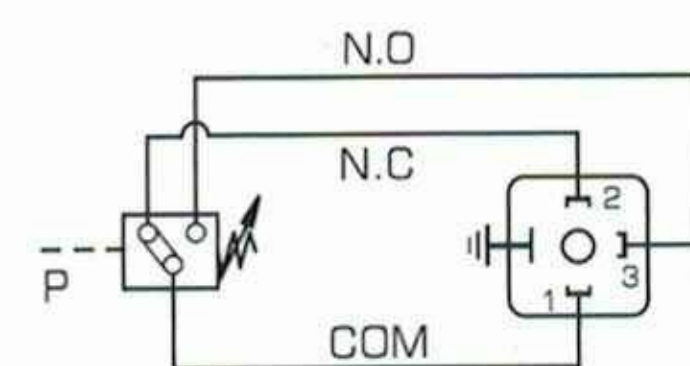


剖面圖 / Schematic Cross-Section



| | |
|--|--------------------------------|
| 1 本體(鑄鐵) Housing (Casting-Iron) | 5 伺服柱塞 Servo-Piston |
| 2 接管孔口(1/4"PT) Connection Port (1/4"PT) | 6 微動開關 Micro switch |
| 3 壓力調整鈕 Pressure Adj. Knob | 7 電氣接頭 Electrical Connector |
| 4 彈簧 Spring | 8 貼壁油口 O-ring P6 (M5XP0.8) |

油電符號表 / Graphic Symbol



N.O.=Normally open
N.C.=Normally close

Rating:
21B:3A 250VAC, 0.5A 30VDC

DMB 油電壓力開關 Pressure Switch



選購型號 / How to order

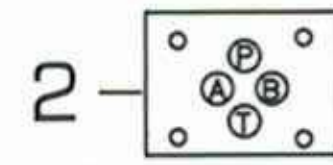
DMB-2P250A-Pi



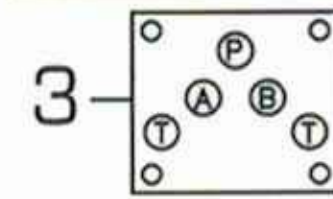
1 型式 / Model

疊加式 Sandwich Type

2 配合閥規格 / For use with solenoid valves



ISO-4401-03-02
NFPA-D03
CETOP-03
DIN 24340 NG6



ISO-4401-05-04
NFPA-D05
CETOP-05
DIN 24340 NG10

3 壓力檢出管路 / Pressure Transforms Line

A: A port
B: B port
P: P port
w: A&B port

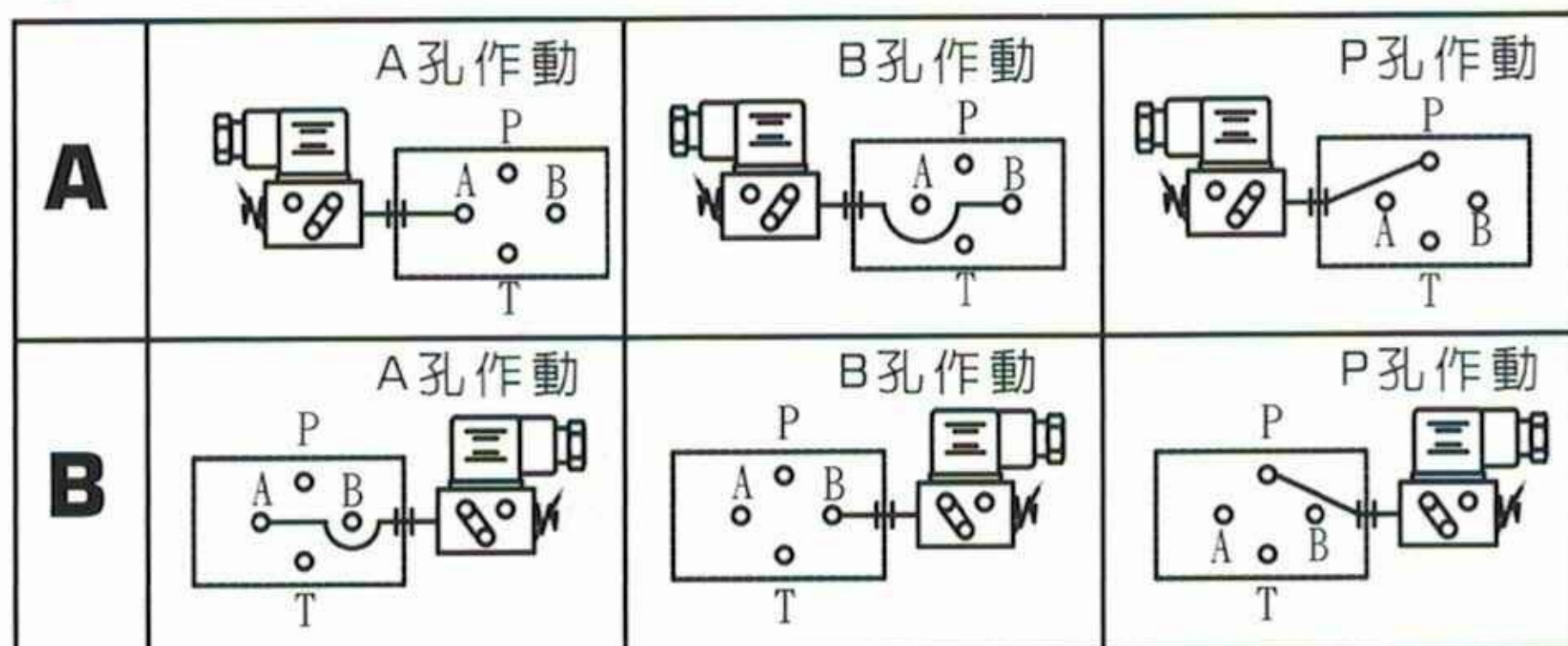
4 壓力範圍 / Pressure Adj. Range

| 型式 Model | 壓力調整範圍 Pressure Adj. Range bar | 測定壓力 Set Pres. bar |
|-------------|-----------------------------------|-----------------------|
| 040K | 6 ~ 40 | 20 |
| 070K | 8 ~ 70 | 30 |
| 150K | 15 ~ 150 | 70 |
| 250K | 40 ~ 250 | 100 |

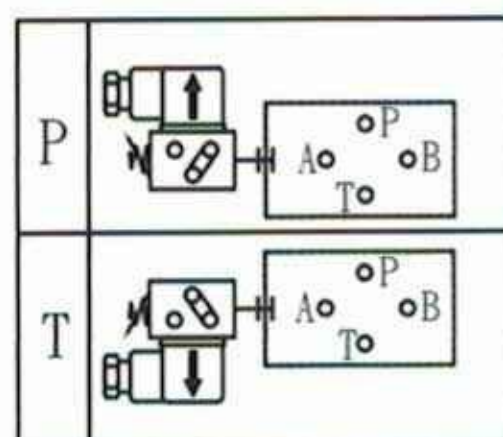
7 B: 無指示燈 / Without indicator LED

i: 附指示燈 / With indicator LED

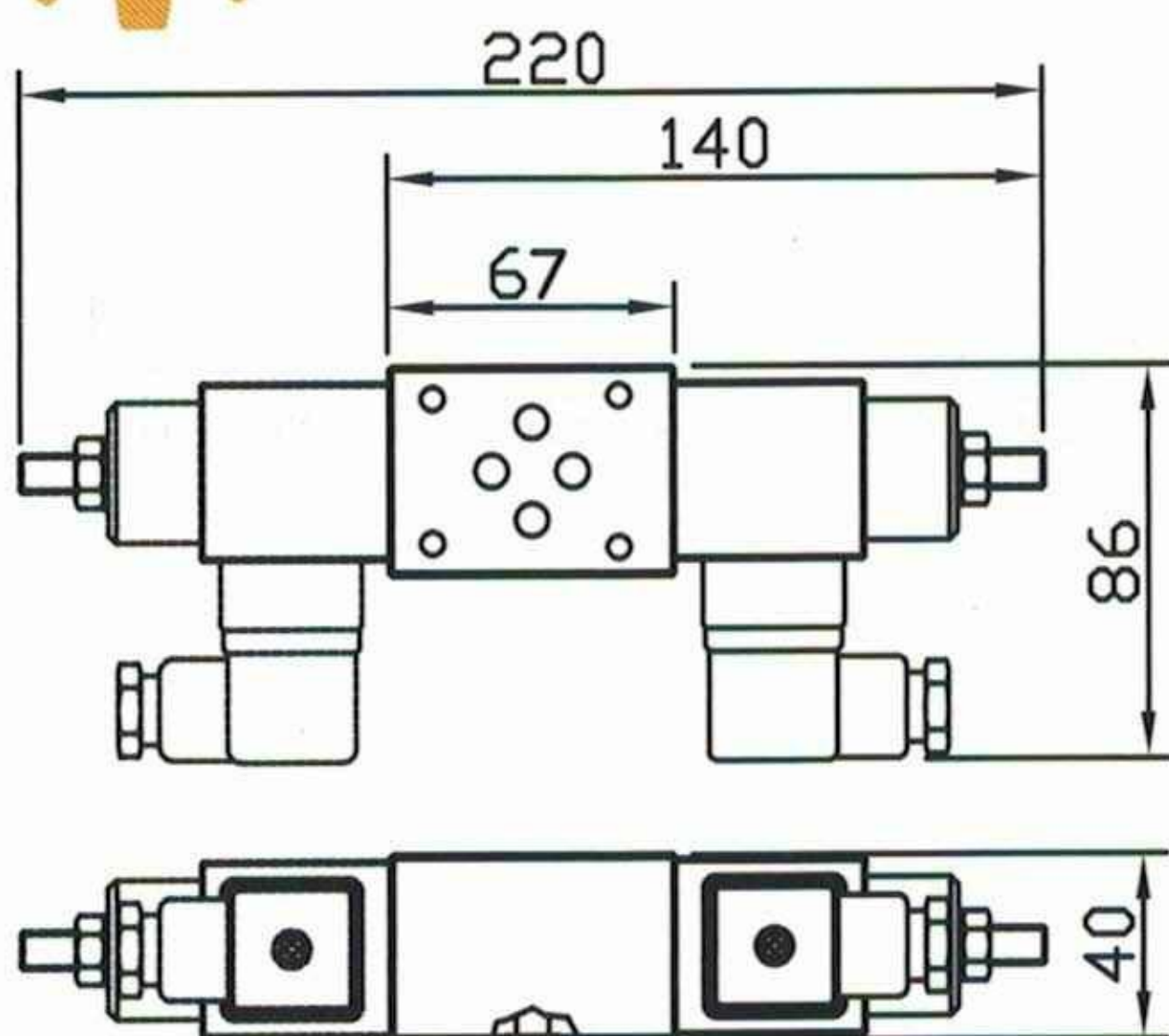
5 調壓向位 / Position of the pressure adj.



6 電器插頭座位 / Position of the electrical connector

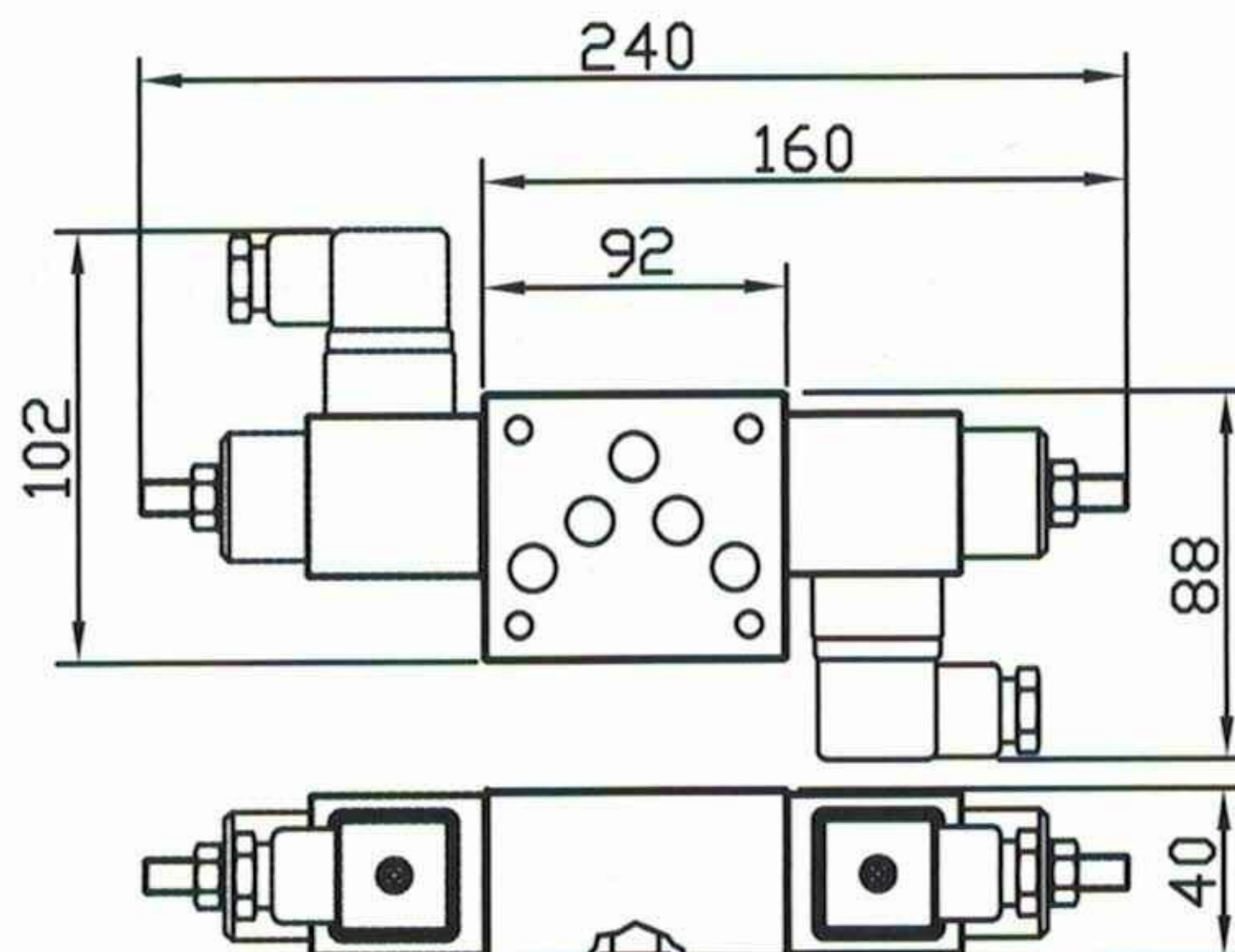


尺寸圖 / Dimension mm(inches)



| 型式 Model | 重量 kg Weight |
|--------------|-----------------|
| DMB-02P(A,B) | 0.55 Kgs |
| DMB-02W | 0.8 Kgs |

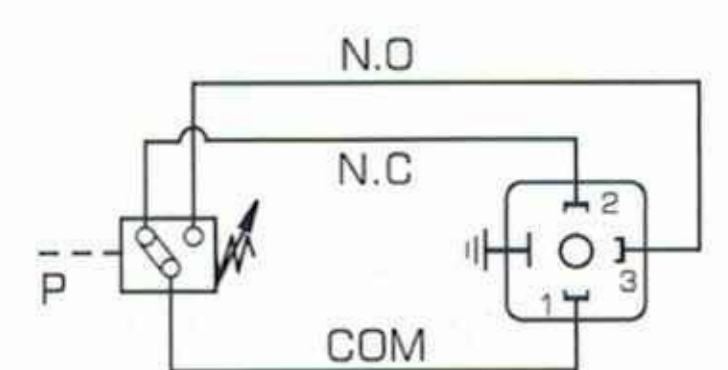
For use with ISO 03/CETOP 3/NFPA D03
Standard Solenoid Valves



| 型式 Model | 重量 kg Weight |
|--------------|-----------------|
| DMB-03P(A,B) | 0.9 Kgs |
| DMB-03W | 1.5 Kgs |

For use ISO 05/CETOP 5/NFPA D05
Standard Solenoid Valves

油電符號表 / Graphic Symbol



N.O.=Normally open
N.C.=Normally close

Rating:
B: 3A 250VAC, 0.5A 30VDC
i: 24VDC, 250VAC < 0.6A



性能圖 / Performance Curves

性能圖請參考DNB系列
See Table DNB Series

DNM

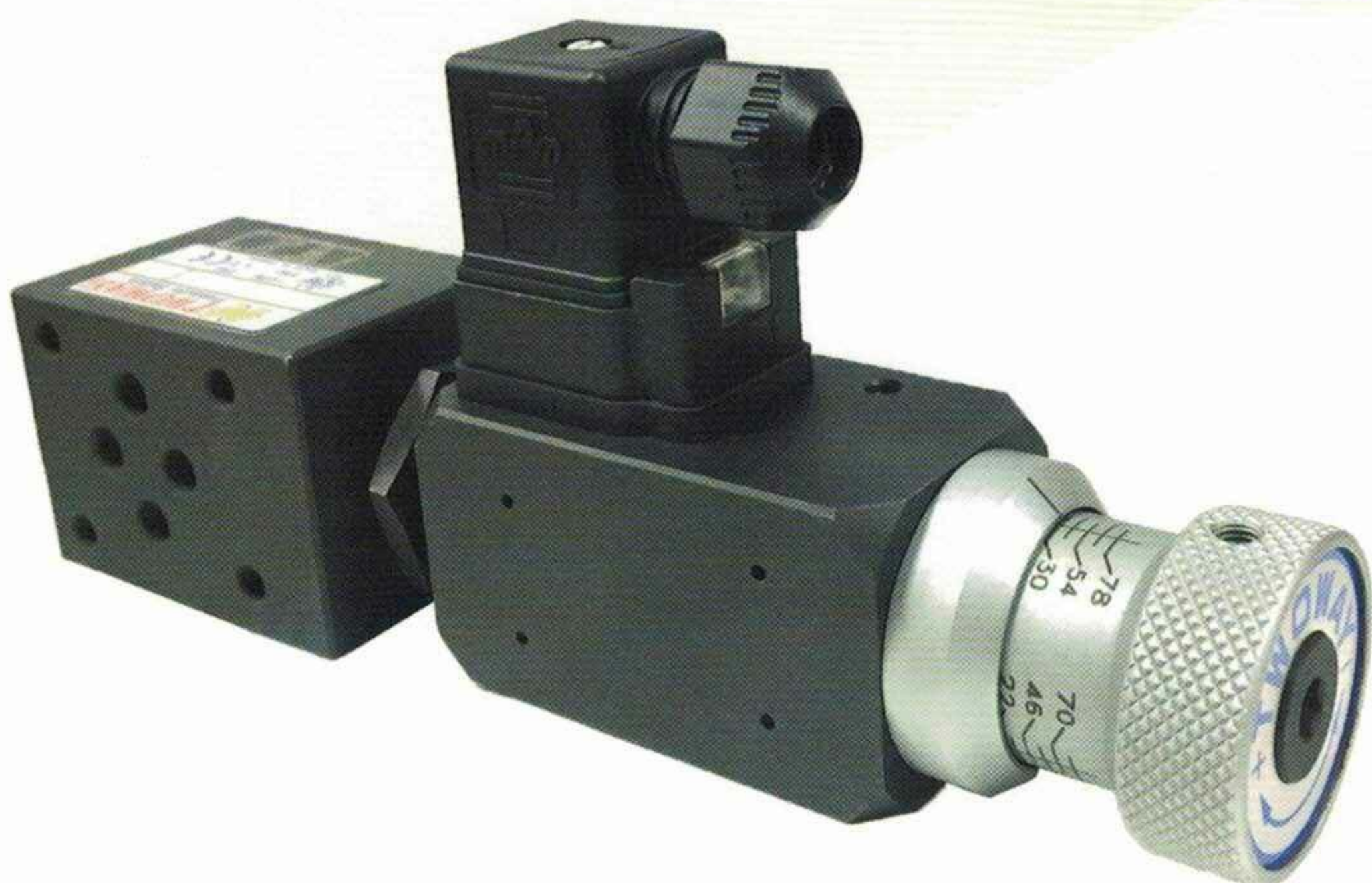
油電壓力開關 Pressure Switch



選購型號 / How to order

DNM-2P250A-Pi

① ② ③ ④ ⑤ ⑥ ⑦



① 型式 / Model

壓力直讀式·疊加式
Direct Read-out, Sandwich Type

② 配合閥規格 / For use with solenoid valves

| | | |
|---|--|--|
| 2 | | ISO-4401-03-02 NFPA-D03 CETOP-03 DIN 24340 NG6 |
| 3 | | ISO-4401-05-04 NFPA-D05 CETOP-05 DIN 24340 NG10 |

③ 壓力檢出管路 / Pressure Transforms Line

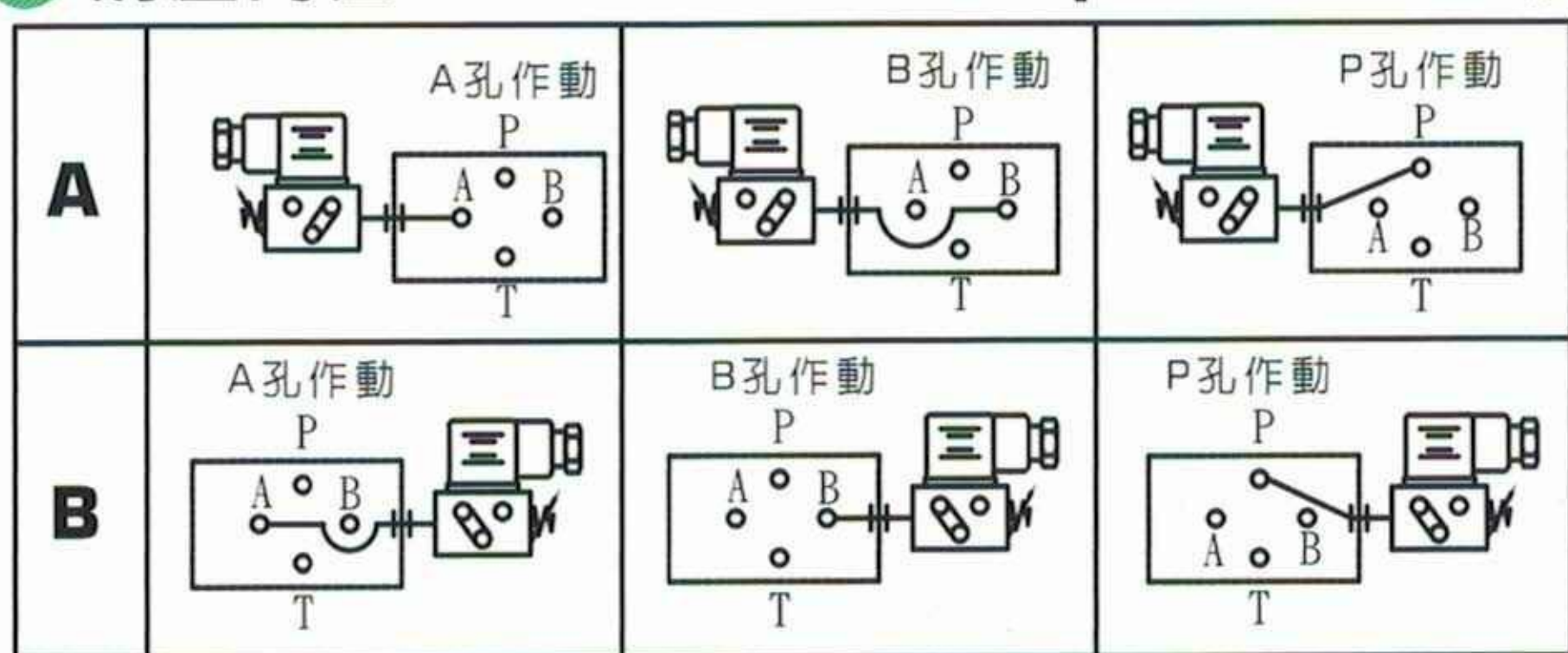
A:A port
B:B port
P:P port
w:A&B port

④ 壓力範圍 / Pressure Adj. Range

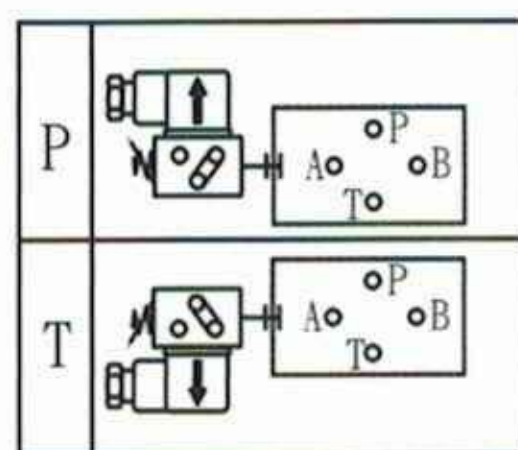
| 型式 Model | 壓力調整範圍 Pressure Adj. Range bar | 測定壓力 Set Pres. bar |
|-------------|-----------------------------------|-----------------------|
| 040K | 6 ~ 40 | 20 |
| 070K | 8 ~ 70 | 30 |
| 150K | 15 ~ 150 | 70 |
| 250K | 40 ~ 250 | 100 |
| 360K | 50 ~ 360 | 200 |

⑦ B:無指示燈 / Without indicator LED i:附指示燈 / With indicator LED

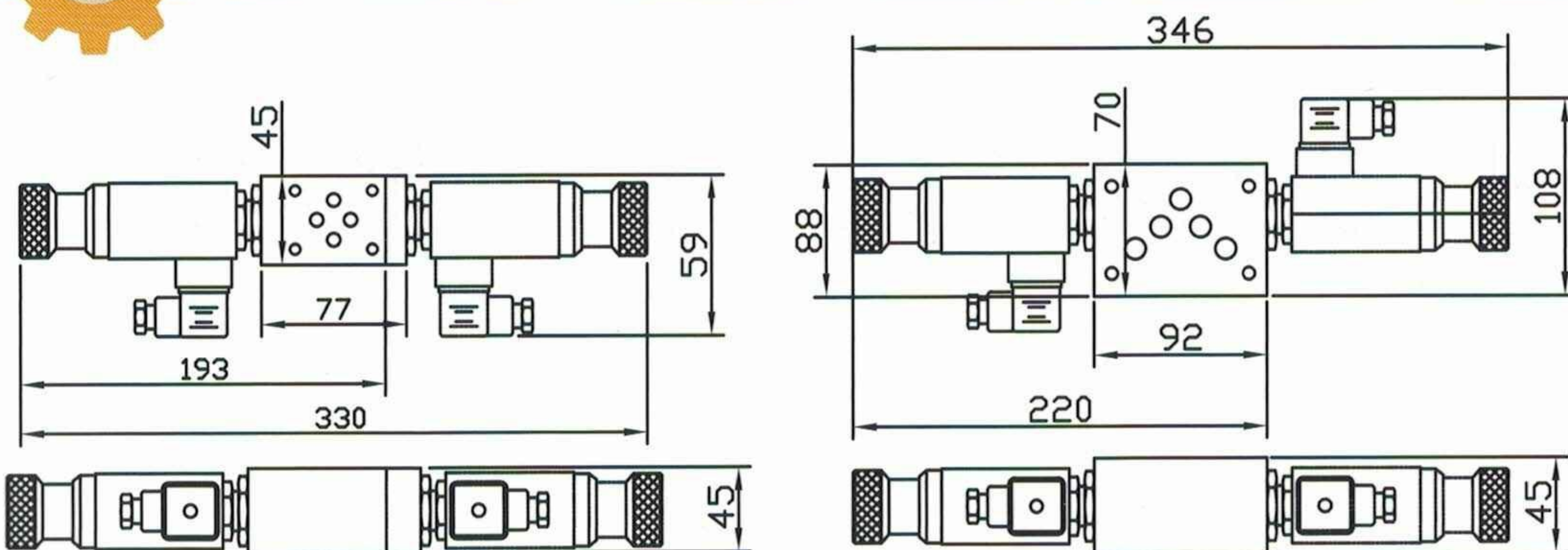
⑤ 調壓向位 / Position of the pressure adj.



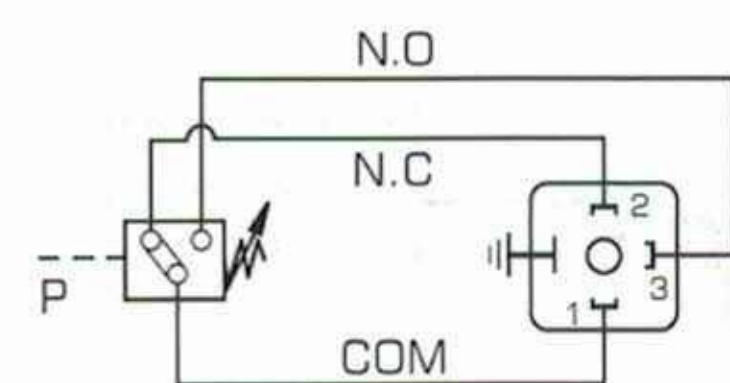
⑥ 電器插頭座位 / Position of the electrical connector



尺寸圖 / Dimension mm(inches)



油電符號表 / Graphic Symbol



N.O.=Normally open
N.C.=Normally close

Rating:
B:3A 250VAC, 0.5A 30VDC
i:24DC, 250VAC < 0.6A

| 型式 Model | 重量 kg Weight |
|--------------|-----------------|
| DNM-02P(A.B) | 2.1 Kgs |
| DNM-02W | 3.1 Kgs |

For use with ISO 03/CETOP 3/NFPA D03
Standard Solenoid Valves

| 型式 Model | 重量 kg Weight |
|--------------|-----------------|
| DNM-03 (A.B) | 3.1 Kgs |
| DNM-03W | 4.1 Kgs |

For use ISO 05/CETOP 5/NFPA D05
Standard Solenoid Valves



性能圖 / Performance Curves

性能圖請參考DNA系列
See Table DNA Series

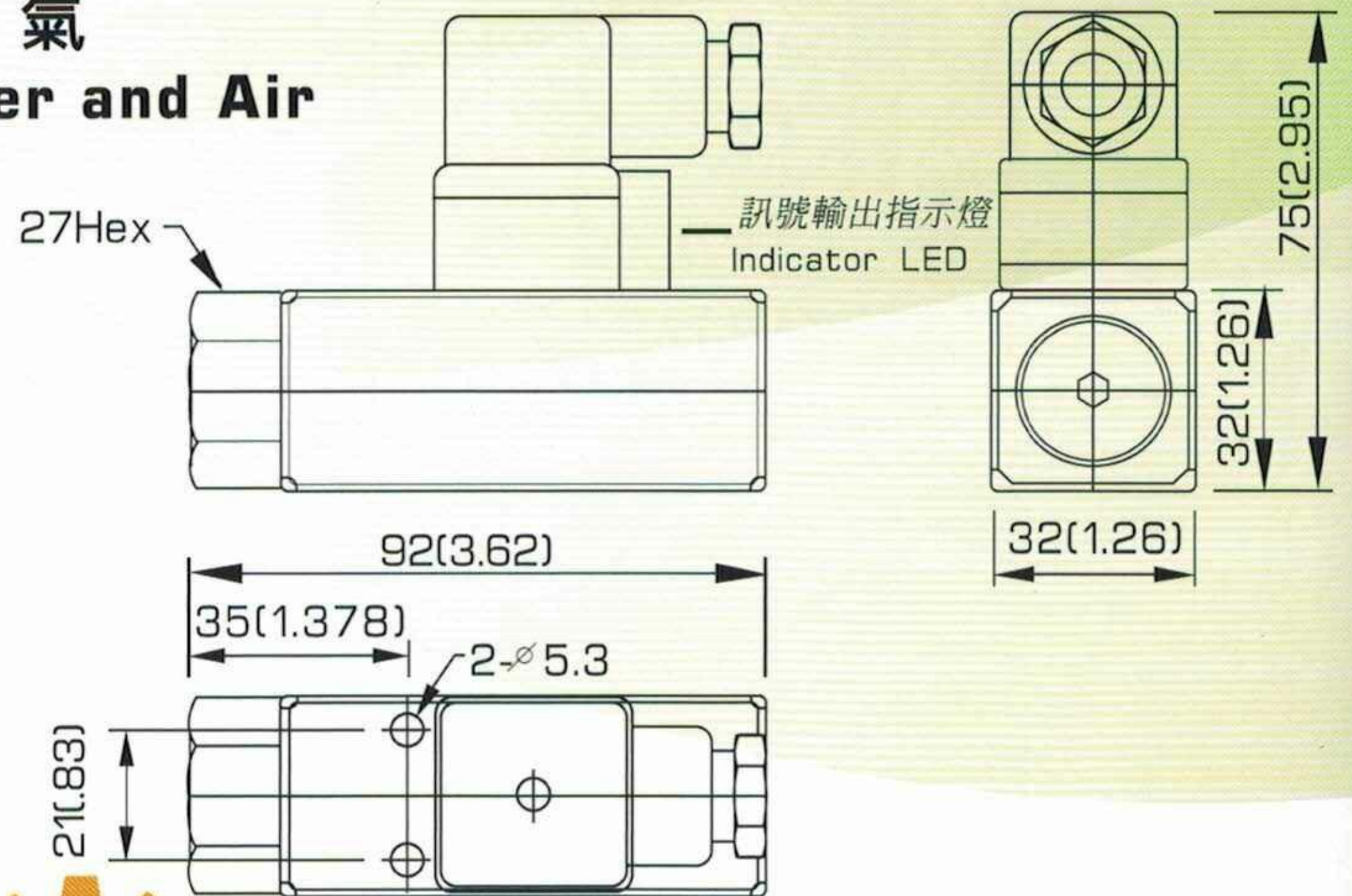
DNP 低壓隔膜式壓力開關

Low Pressure Diaphragm Pressure Switch

尺寸圖 / Dimension mm(inches)



油、水、氣
Oil, Water and Air



選購型號 / How to order

DNP-08K-21B

①

②

③

1 型式 / Model

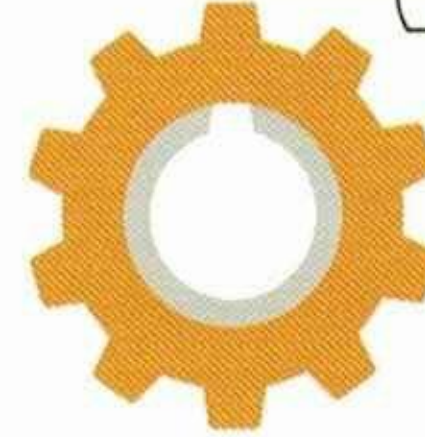
一般型隔膜式
General Diaphragm Type

2 壓力範圍 / Pressure Adj. Range

| 型式 Model | 壓力調整範圍 bar Pressure Adj. Range bar | 最高耐壓 bar Max. Pressure bar | 測定壓力 bar Set Pres. bar | 重量 kg Weight |
|-------------|--|----------------------------------|------------------------------|-----------------|
| 02K | 0.5 ~ 2.0 | 80 | 1 | 0.3 |
| 08K | 1.5 ~ 8.0 | 80 | 4 | 0.3 |
| 20K | 2.0 ~ 20 | 80 | 5 | 0.3 |

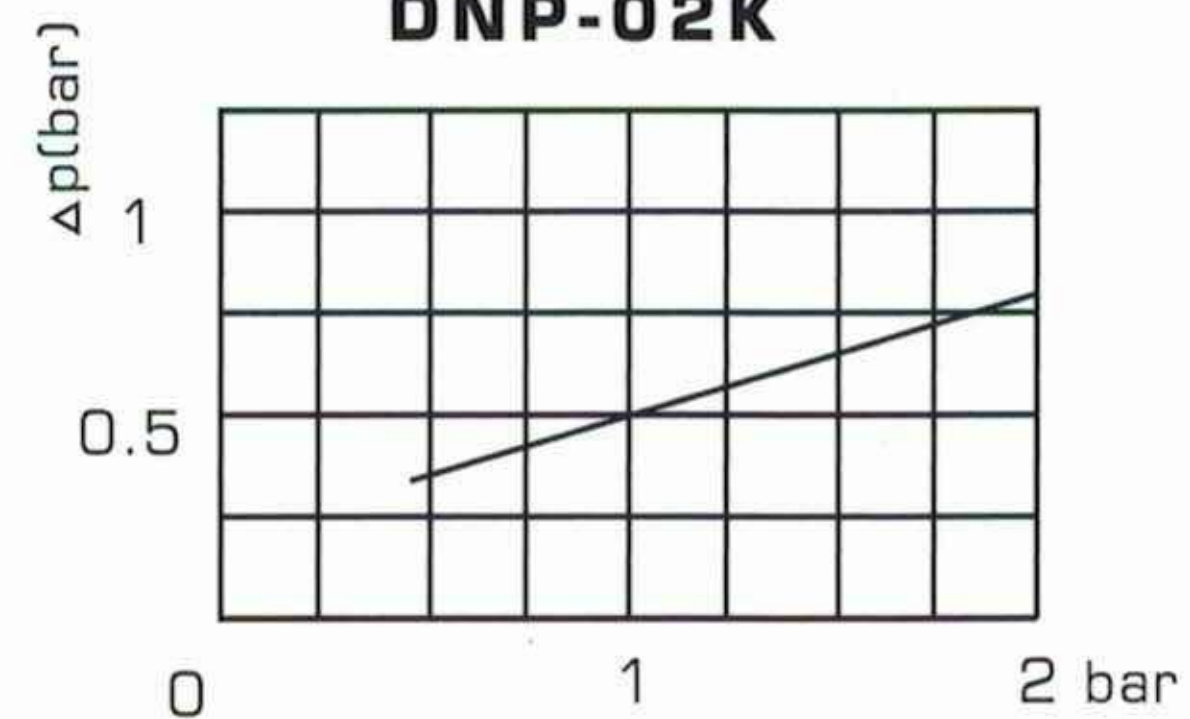
3 21B:無指示燈 / Without indicator LED

06i:附指示燈 / With indicator LED

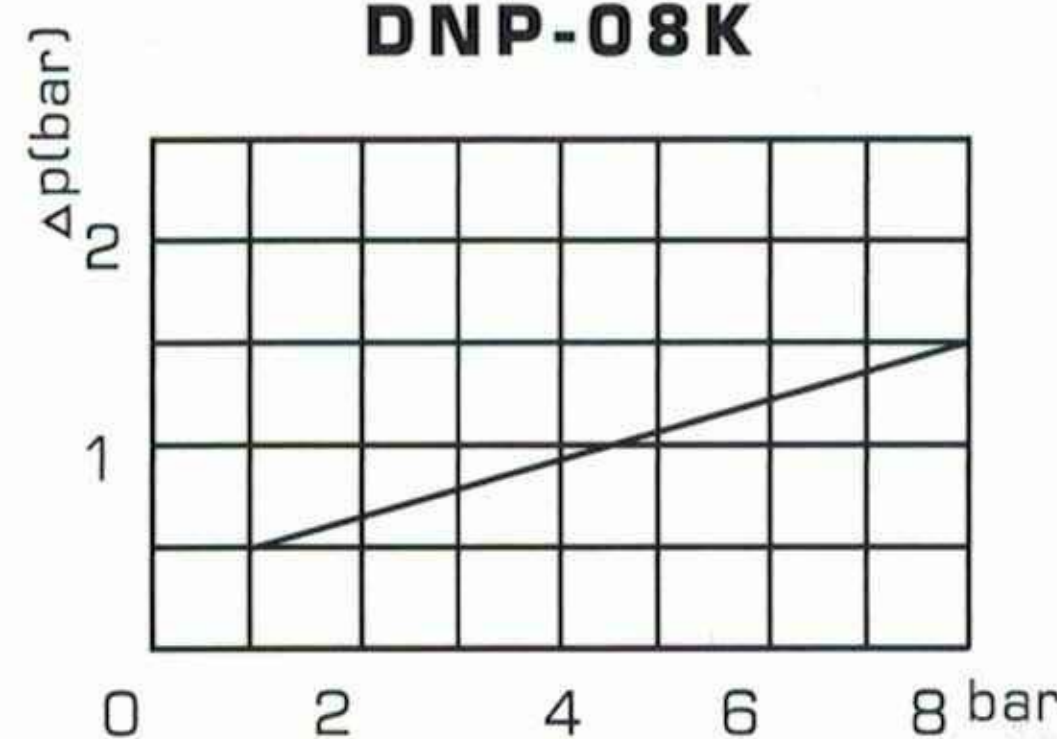


性能圖 / Performance Curves

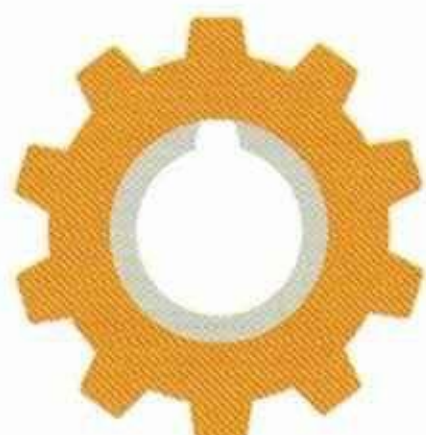
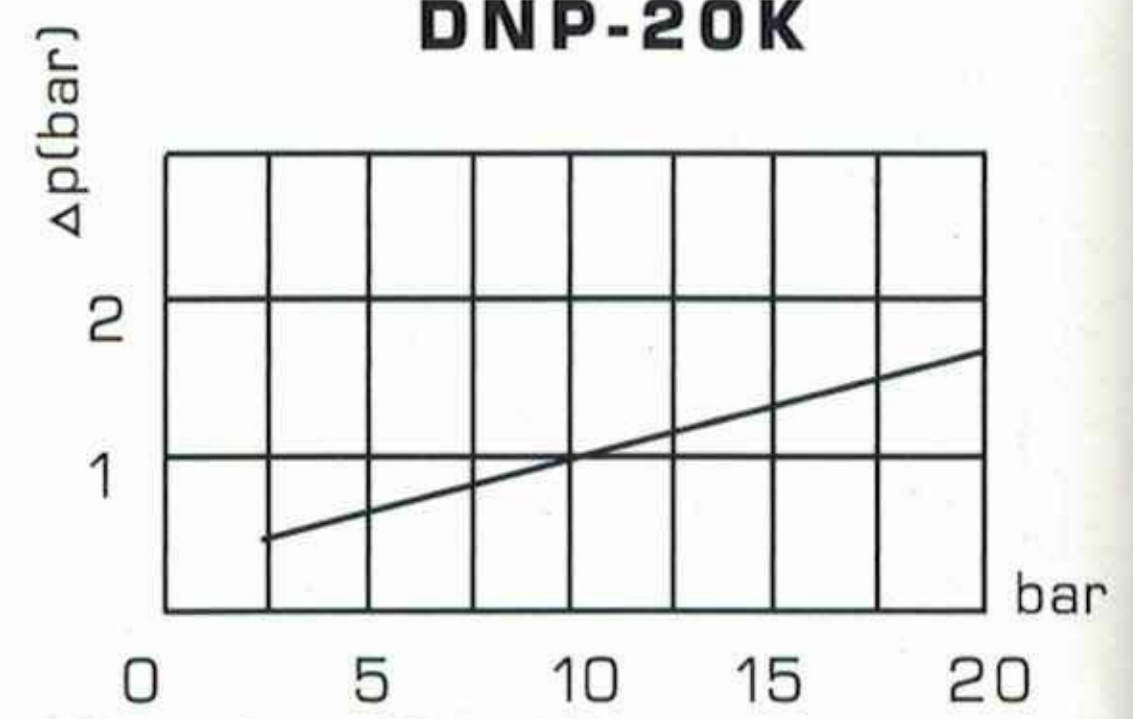
DNP-02K



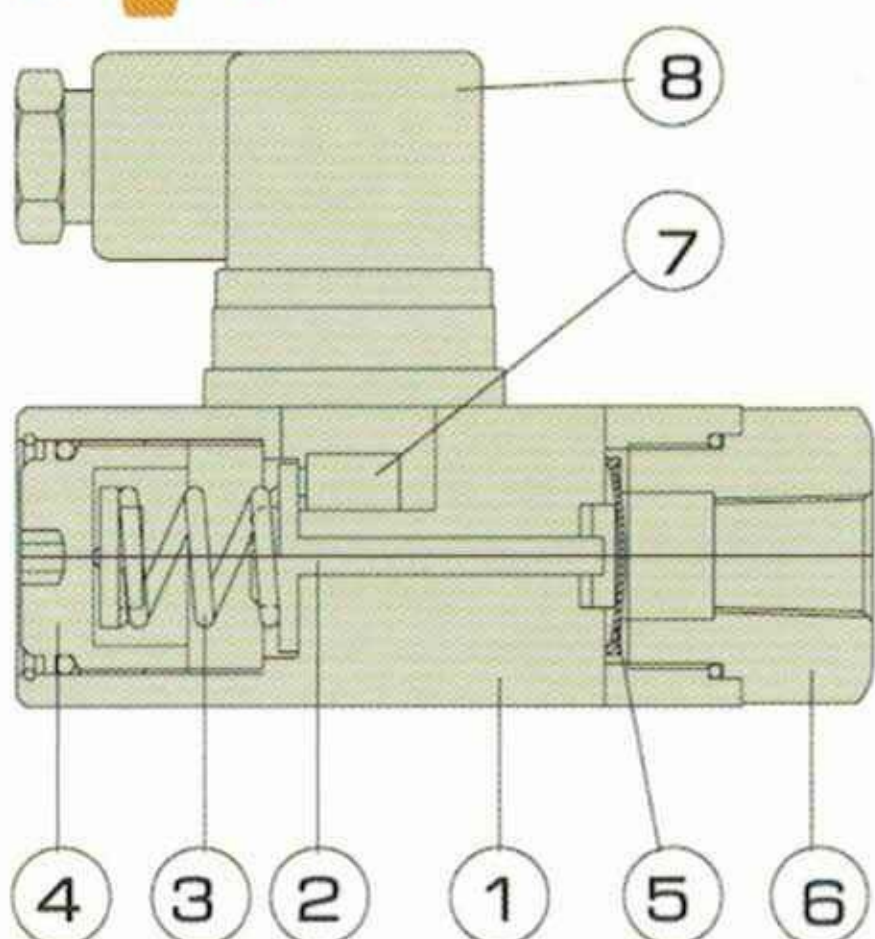
DNP-08K



DNP-20K

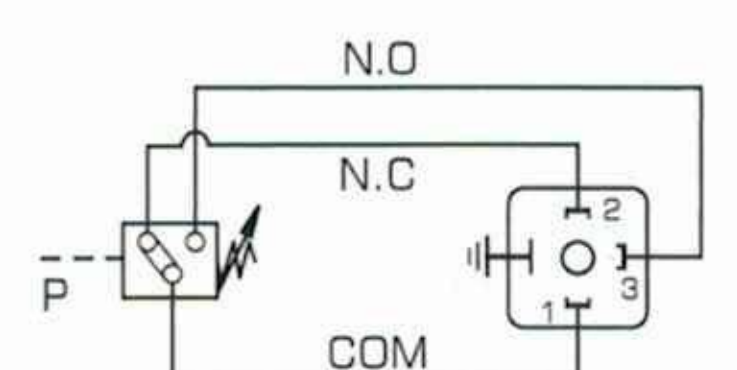


剖面圖 / Schematic Cross-Section



| | |
|--|--|
| 1 本體(鋁合金6061) Housing (Aluminum 6061) | 5 隔膜 Diaphragm |
| 2 伺服柱塞 Servo-Piston | 6 接管孔口(1/4" PT/NPT) Connection Port (1/4" PT/NPT) |
| 3 彈簧 Spring | 7 微動開關 Micro switch |
| 4 壓力調整鈕 Pressure Adj. knob | 8 電氣接頭 Electrical Connector |

油電符號表 / Graphic Symbol

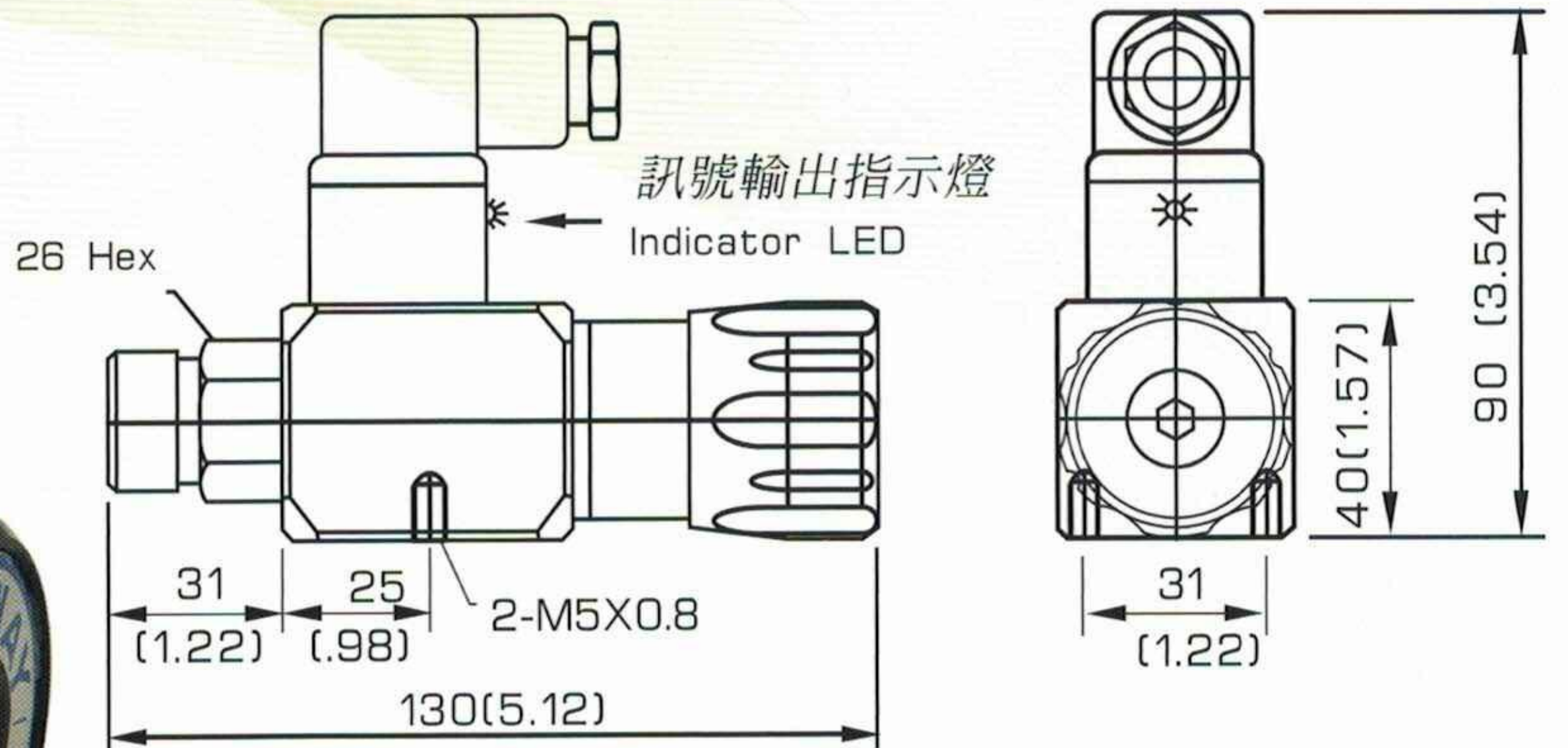


N.O.=Normally open
N.C.=Normally close

Rating:
21B:3A 250VAC, 0.5A 30VDC
06i:24DC, 250VAC < 0.6A

PSA 無接點式 油電壓力開關 NPN Pressure Switch

尺寸圖 / Dimension mm(inches)



選購型號 / How to order

PSA-100K-21B

①

1 型式 / Model

壓力直讀式 · 24VDC 電晶體感應開關
Direct Read-out, 24VDC Transistor
Sensing Pressure Switch

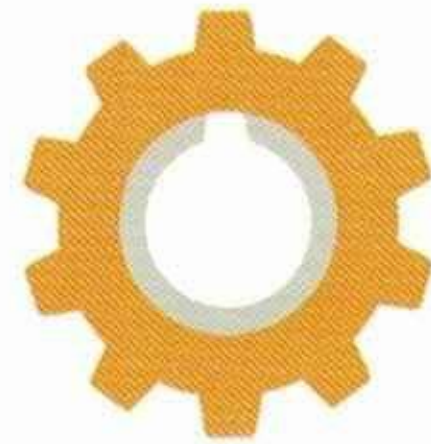
②

2 壓力範圍 / Pressure Adj. Range

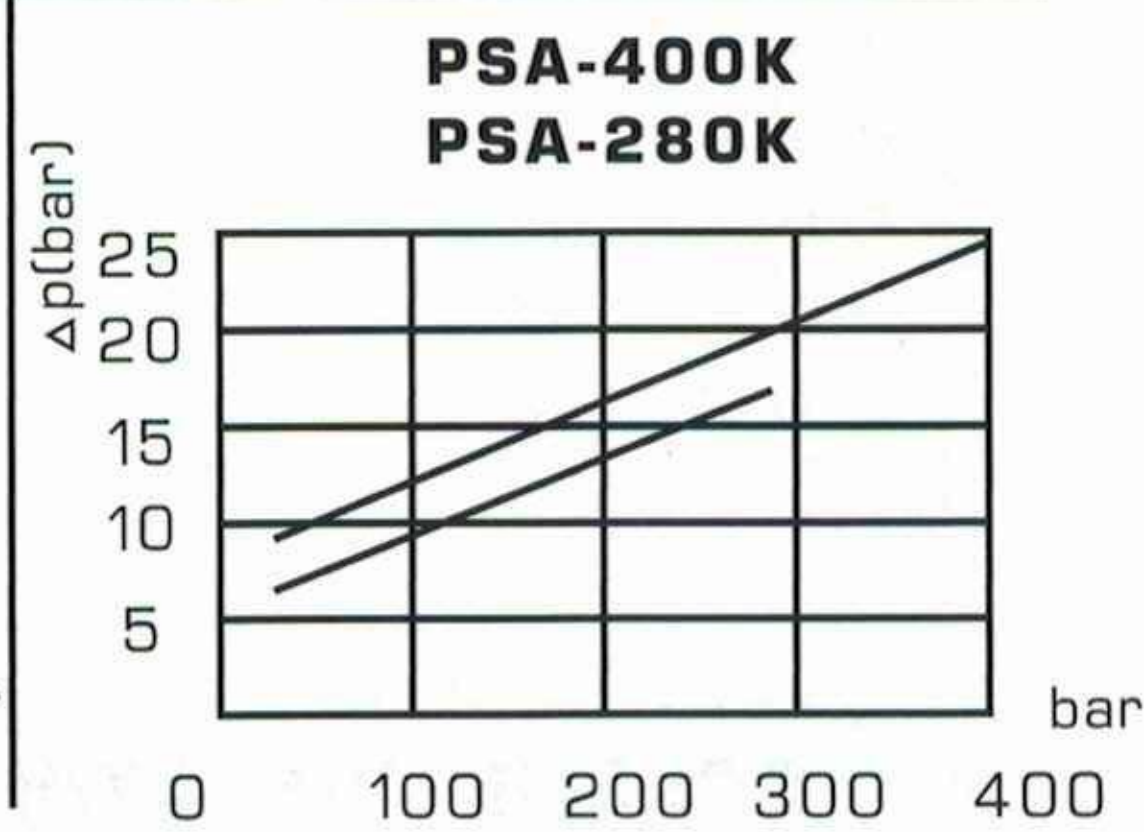
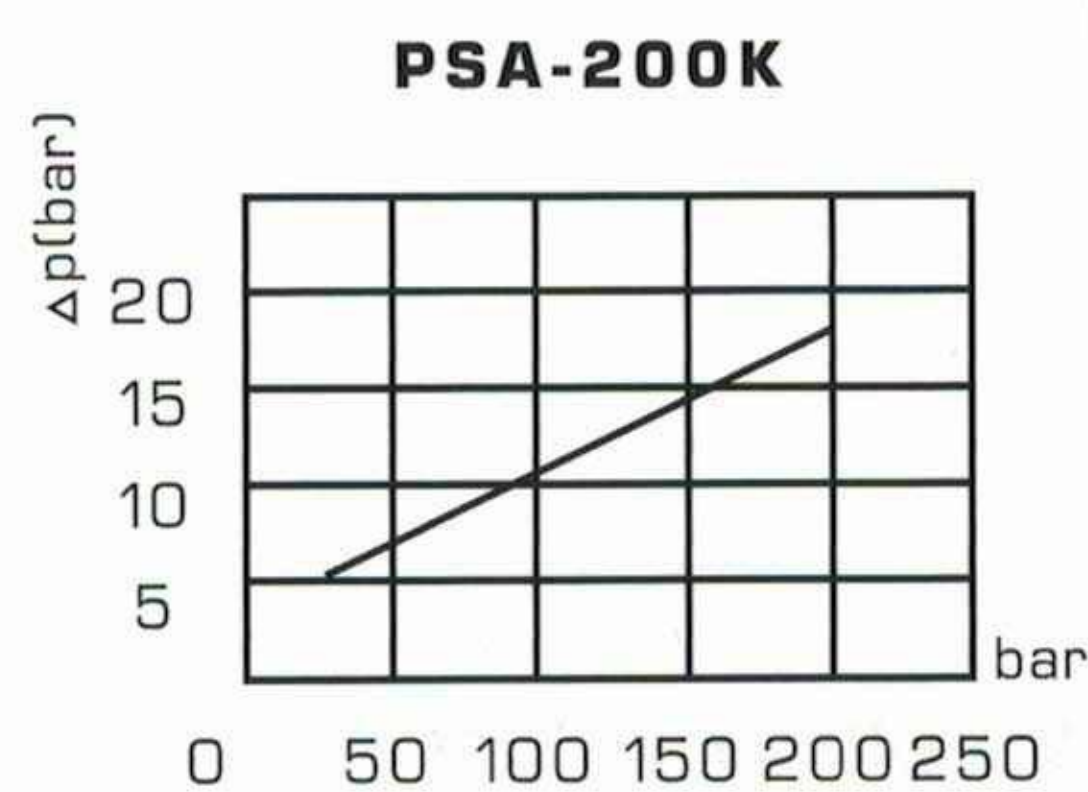
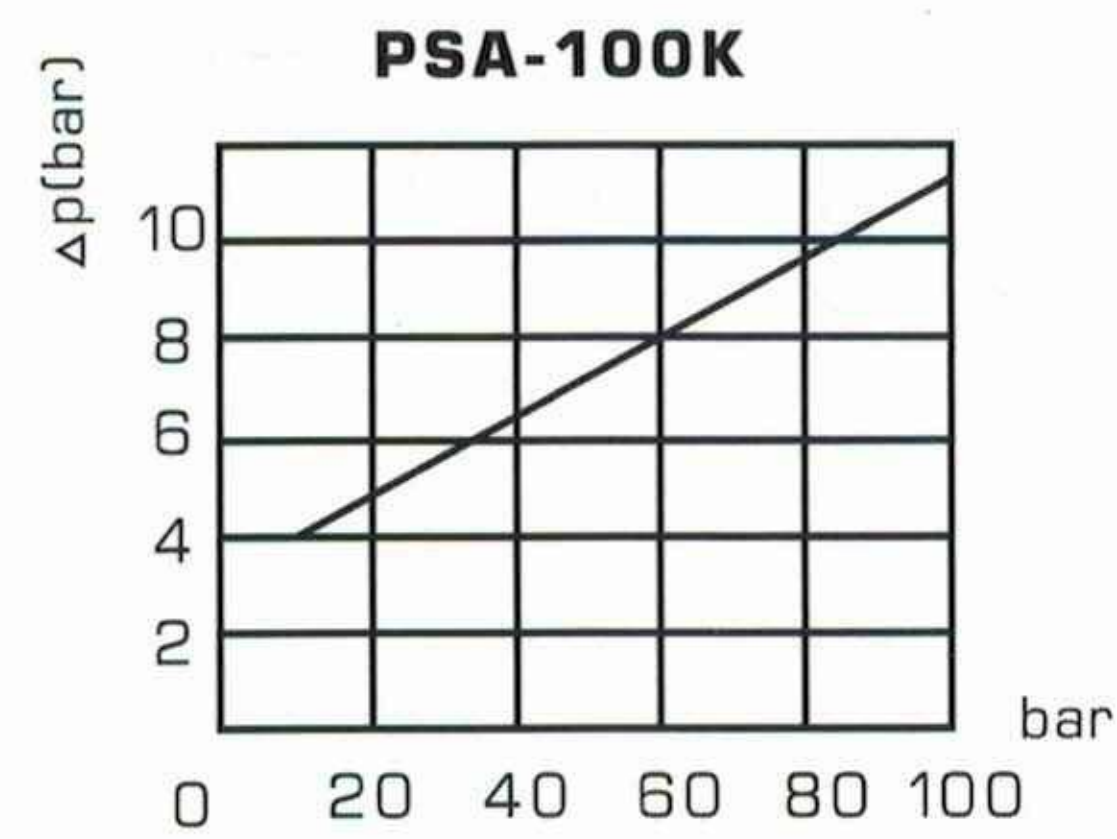
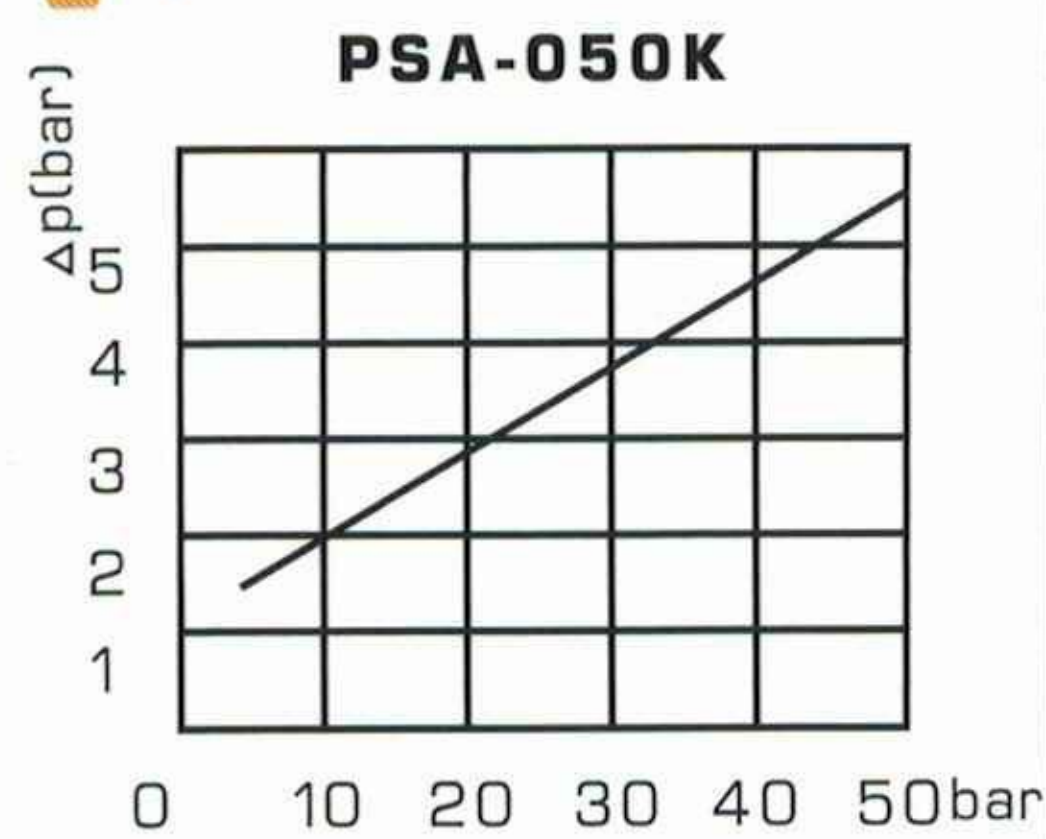
| 型式 Model | 壓力調整範圍 bar Pressure Adj. Range bar | 最高耐壓 bar Max. Pressure bar | 測定壓力 bar Set Pres. bar | 重量 kg Weight |
|-------------|--|----------------------------------|------------------------------|-----------------|
| 050K | 6~50 | 200 | 25 | 0.8 |
| 100K | 15~100 | 300 | 45 | 0.8 |
| 200K | 30~200 | 300 | 100 | 0.8 |
| 280K | 40~280 | 350 | 110 | 0.8 |
| 400K | 50~400 | 450 | 180 | 0.8 |

③

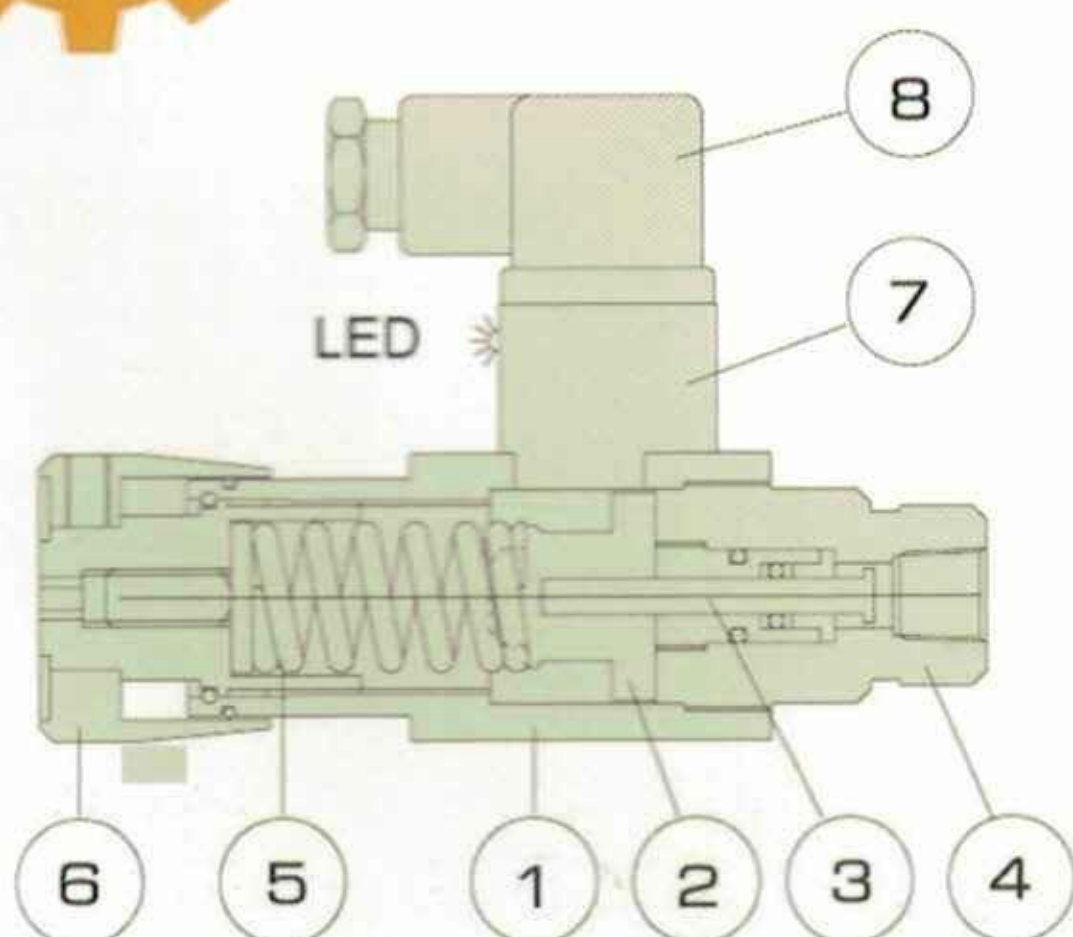
3 設計資料 / Design Number



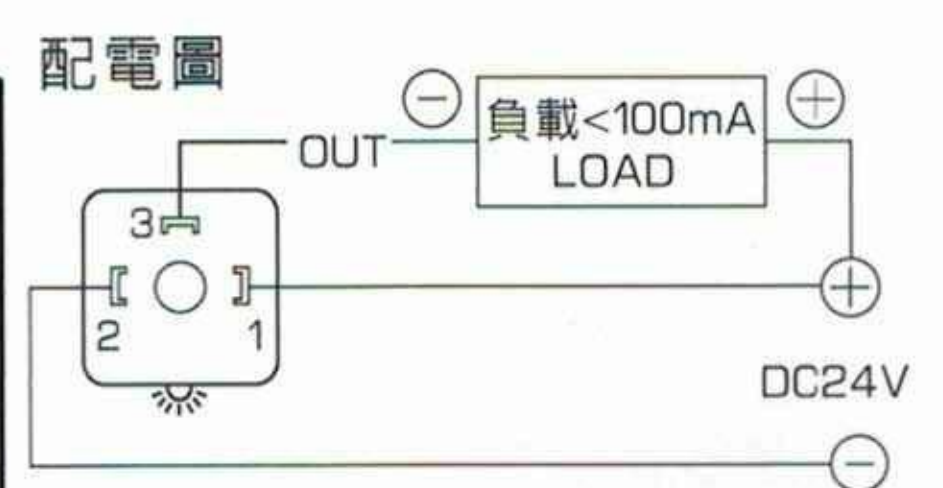
性能圖 / Performance Curves



剖面圖 / Schematic Cross-Section



| | | | |
|---|--|---|------------------------------|
| 1 | 本體(鋁合金6061) Housing (Aluminum 6061) | 5 | 彈簧 Spring |
| 2 | 開關感應座 Switch Sensing Block | 6 | 壓力調整鈕 Pressure Adj. Knob |
| 3 | 伺服柱塞 Servo-Piston | 7 | 感應開關 Proximity Sensor |
| 4 | 接管孔口(1/4"PT) Connection Port (1/4"PT) | 8 | 電氣接頭 Electrical Connector |

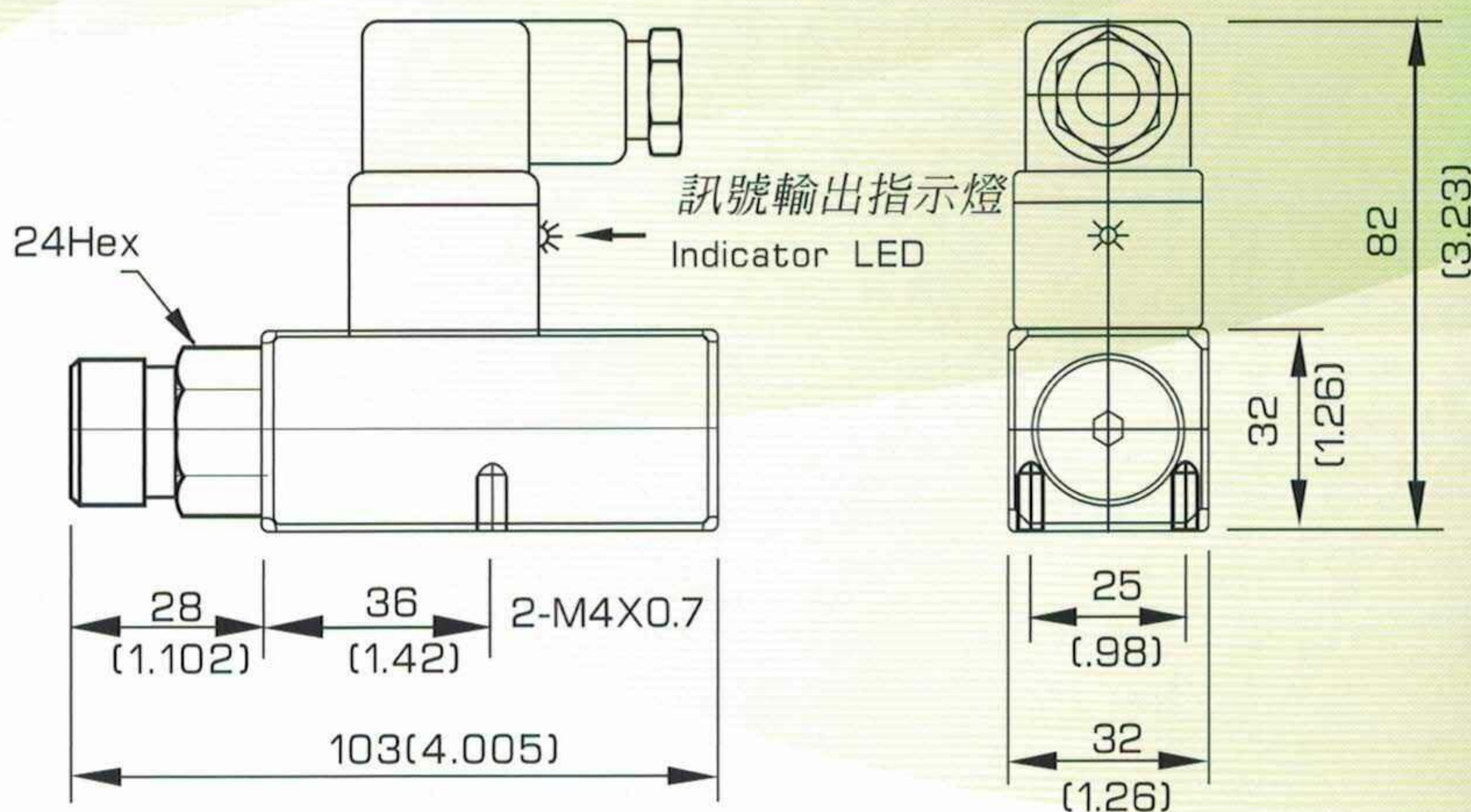


DC Voltage Only

PSB

無接點式 油電壓力開關 NPN Pressure Switch

尺寸圖 / Dimension mm(inches)



選購型號 / How to order

PSB-250K-21B

①

1 型式 / Model

一般型 · 24VDC電晶體感應開關
General Type, 24VDC Transistor Sensing
Pressure Switch

②

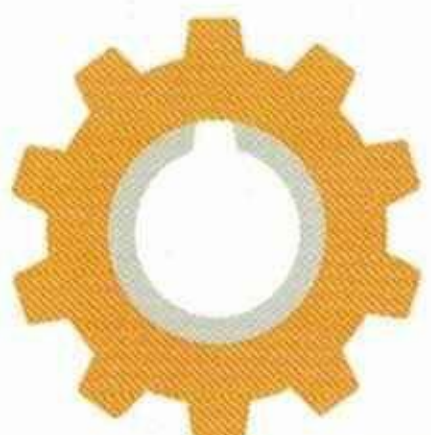
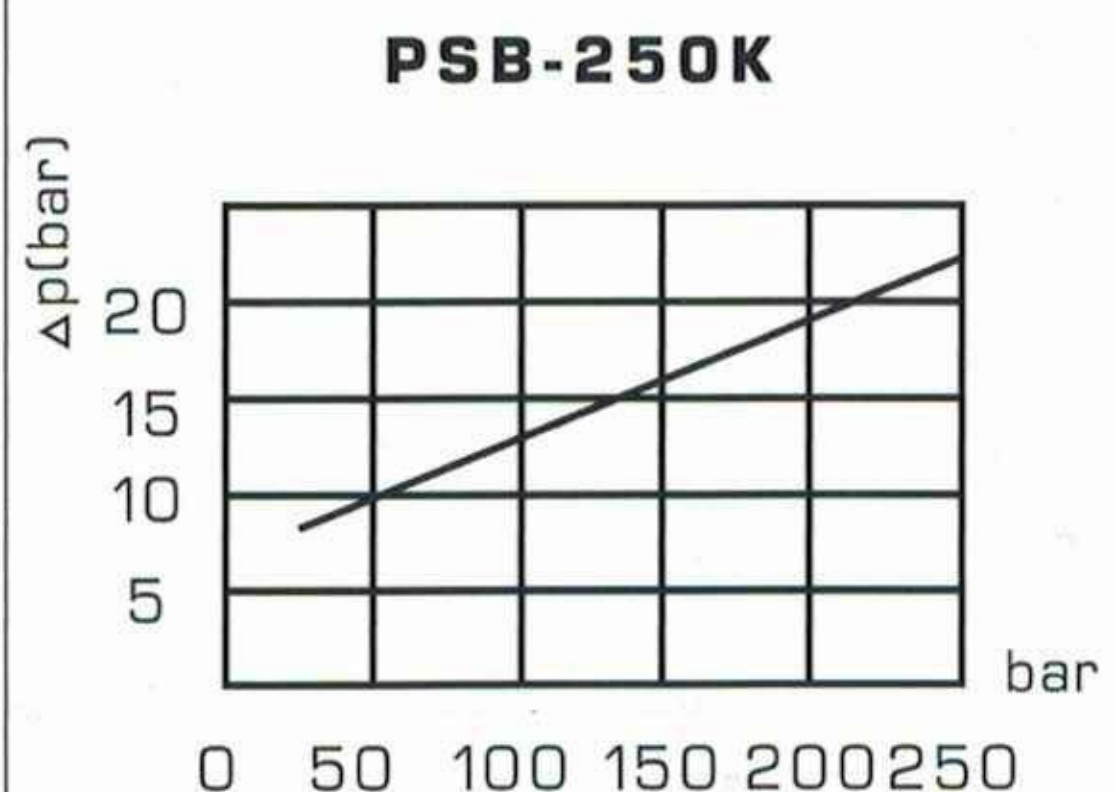
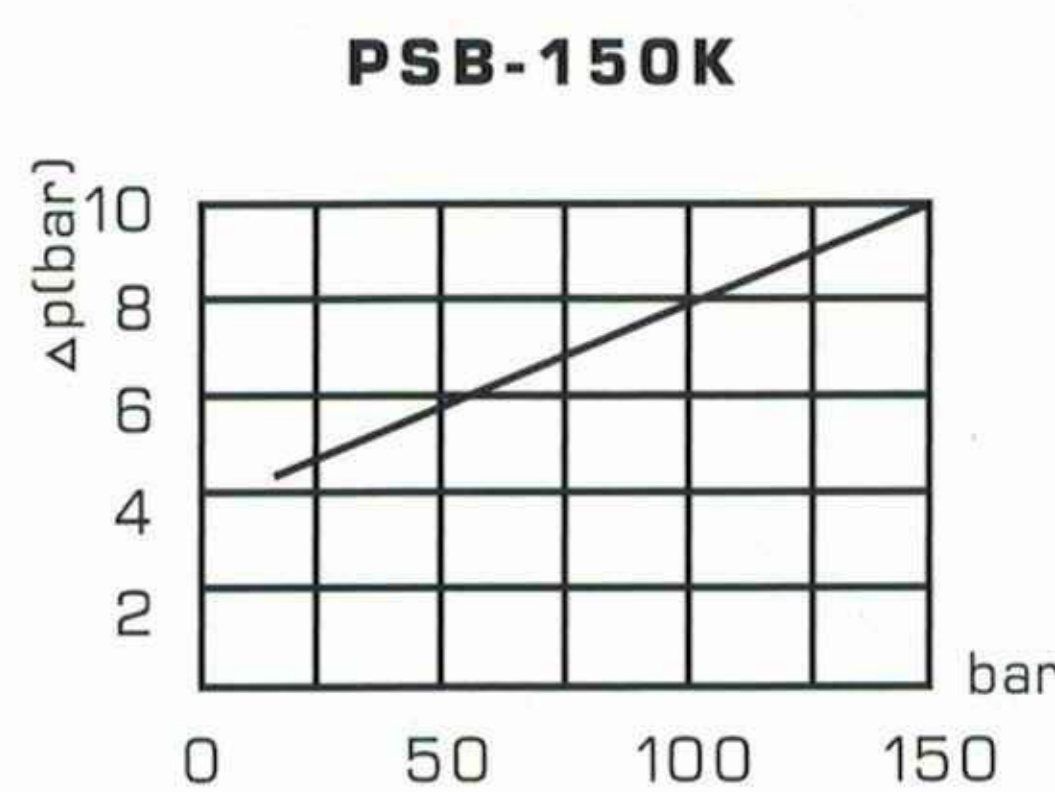
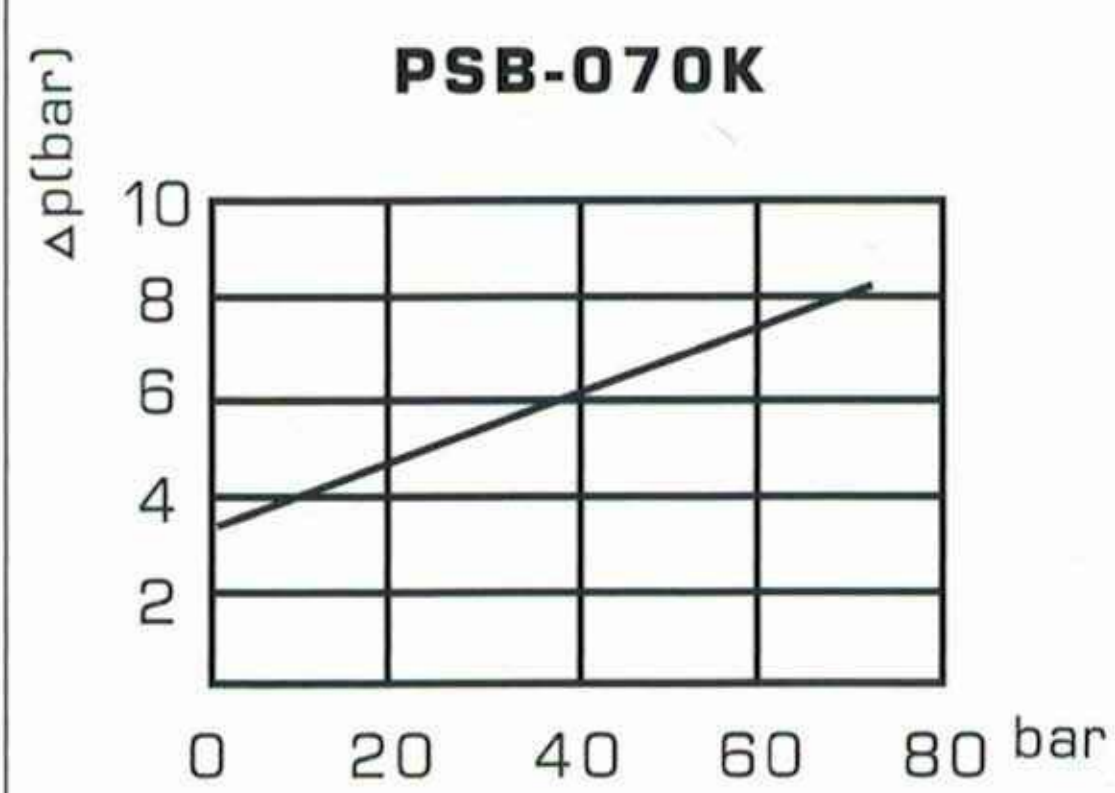
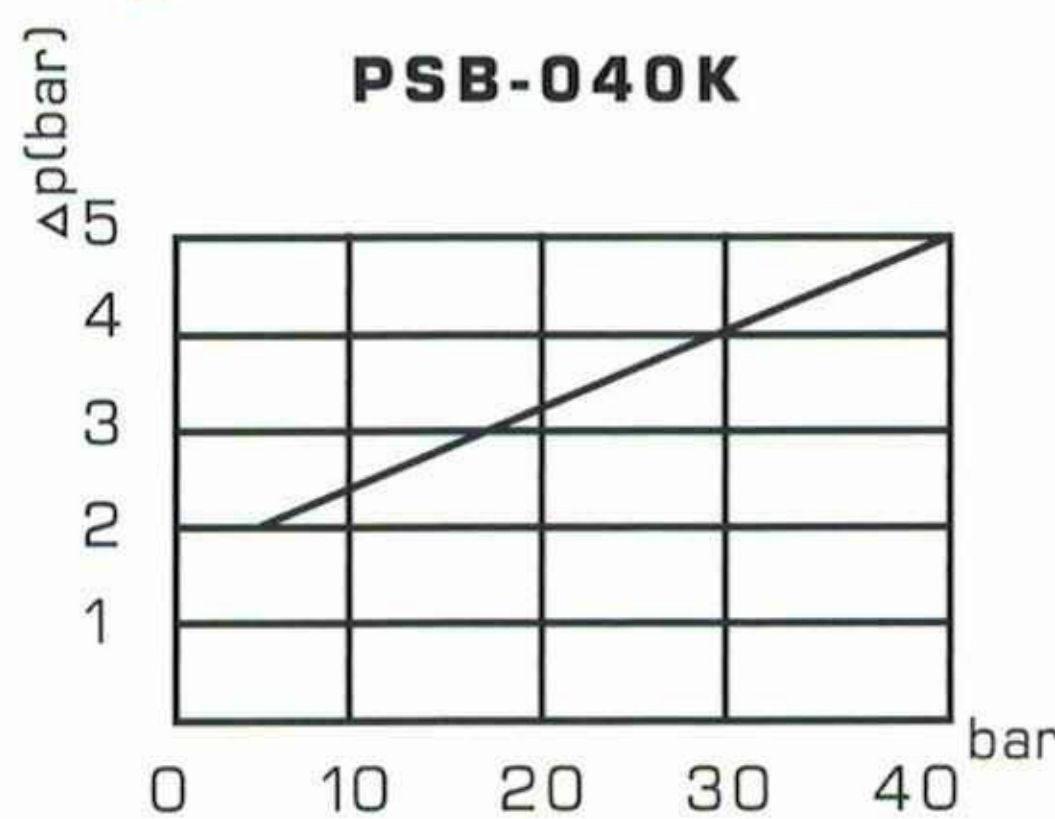
2 壓力範圍 / Pressure Adj. Range

| 型式 Model | 壓力調整範圍 Pressure Adj. Range bar | 最高耐壓 Max. Pressure bar | 測定壓力 Set Pres. bar | 重量 Weight kg |
|-------------|--------------------------------------|------------------------------|--------------------------|--------------------|
| 040K | 6 ~ 40 | 150 | 20 | 0.6 |
| 070K | 10 ~ 70 | 150 | 30 | 0.6 |
| 150K | 20 ~ 150 | 250 | 70 | 0.6 |
| 250K | 40 ~ 250 | 250 | 100 | 0.6 |

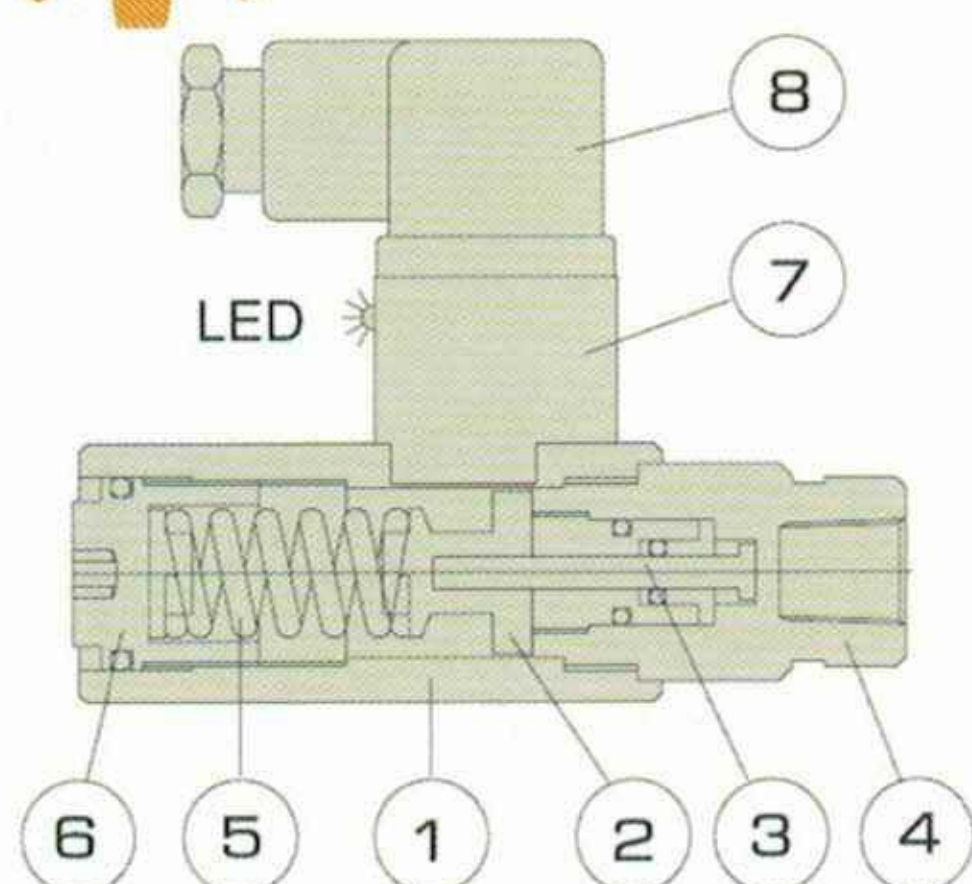
3 設計資料 / Design Number



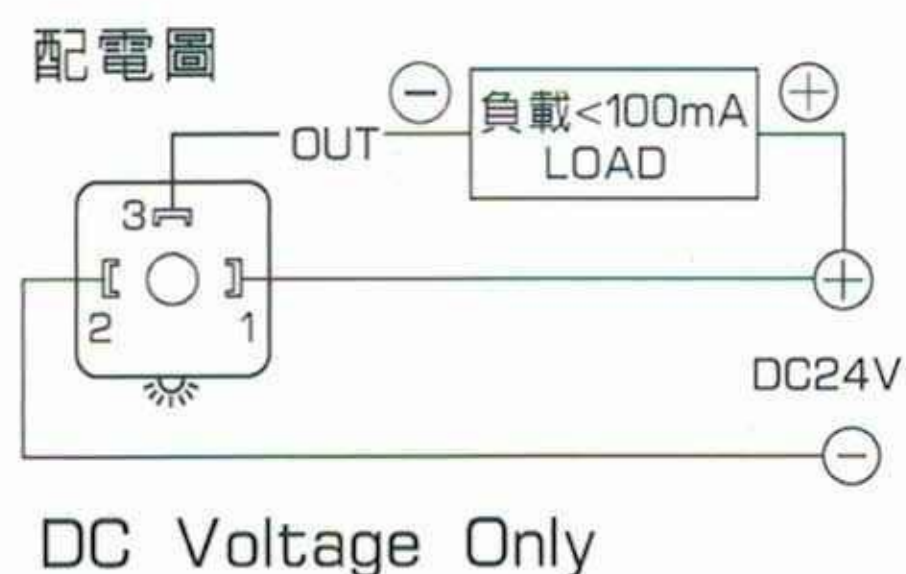
性能圖 / Performance Curves



剖面圖 / Schematic Cross-Section



| | |
|--|--------------------------------|
| 1 本體(鋁合金6061) Housing (Aluminum 6061) | 5 彈簧 Spring |
| 2 開關感應座 Switch Sensing Block | 6 壓力調整鈕 Pressure Adj. Knob |
| 3 伺服柱塞 Servo-Piston | 7 感應開關 Proximity Sensor |
| 4 接管孔口(1/4"PT) Connection Port (1/4"PT) | 8 電氣接頭 Electrical Connector |



PSL

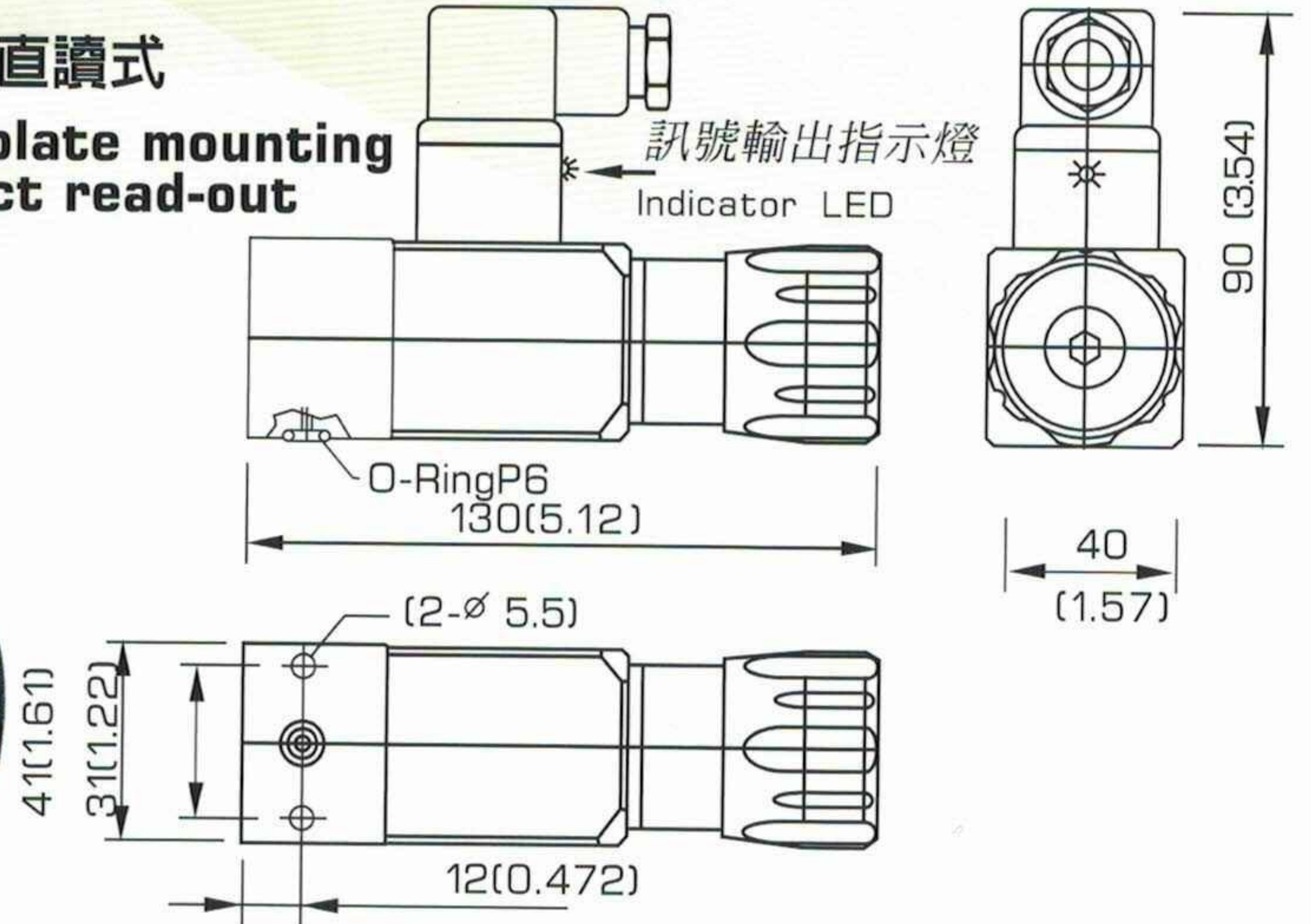
無接點式 油電壓力開關 NPN Pressure Switch

尺寸圖 / Dimension mm(inches)



貼壁直讀式

Subplate mounting
direct read-out



選購型號 / How to order

PSL-100K-21B

①

②

③

① 型式 / Model

貼壁壓力直讀式 · 24VDC電晶體感應開關
Direct Read-out, Subplate, mounting 24VDC
Transistor Sensing Pressure Switch

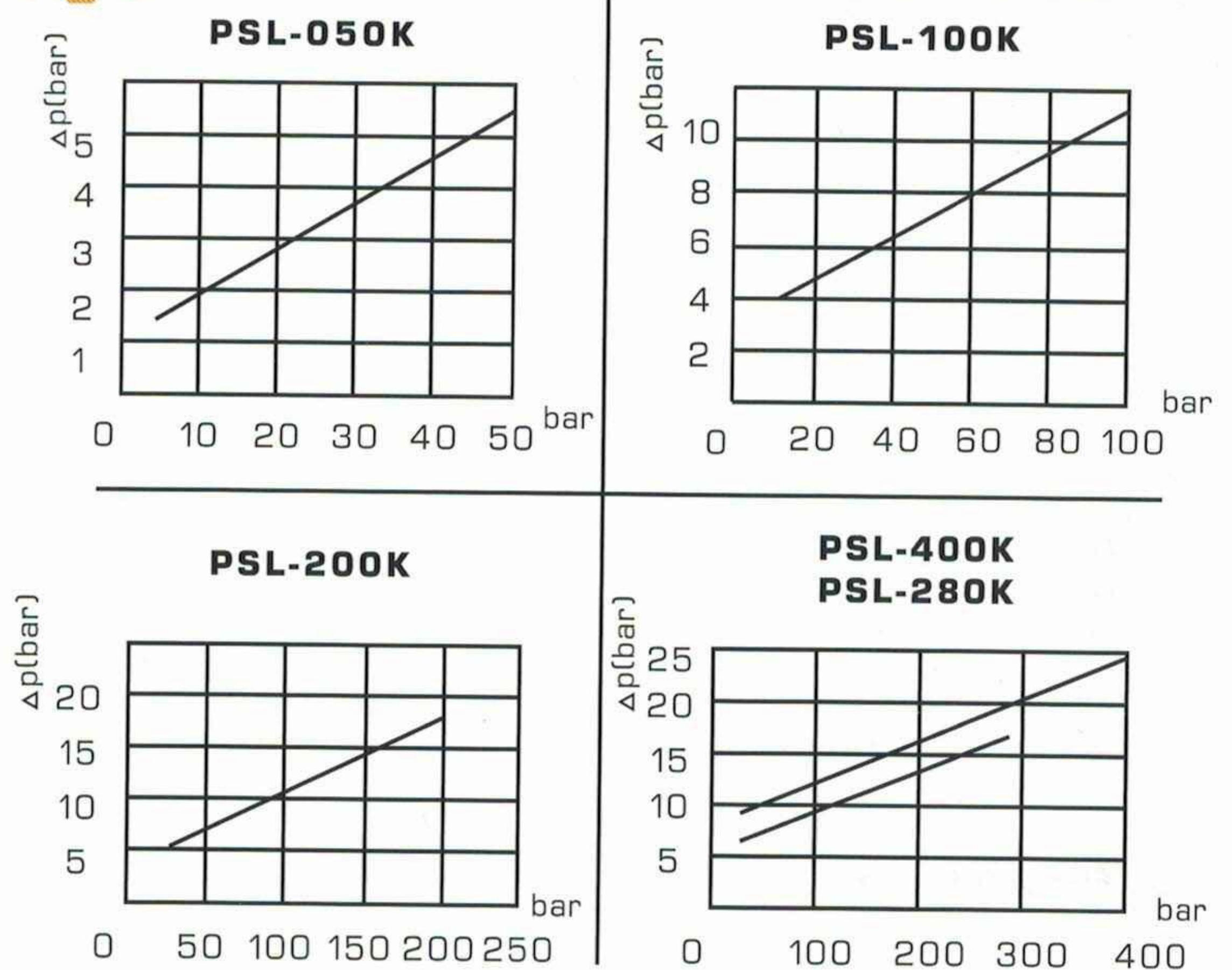
② 壓力範圍 / Pressure Adj. Range

| 型式 Model | 壓力調整範圍 bar Pressure Adj. Range bar | 最高耐壓 bar Max. Pressure bar | 測定壓力 bar Set Pres. bar | 重量 kg Weight |
|-------------|--|----------------------------------|------------------------------|-----------------|
| 050K | 6~50 | 200 | 25 | 0.8 |
| 100K | 15~100 | 300 | 45 | 0.8 |
| 200K | 30~200 | 300 | 100 | 0.8 |
| 280K | 40~280 | 350 | 110 | 0.8 |
| 400K | 50~400 | 450 | 180 | 0.8 |

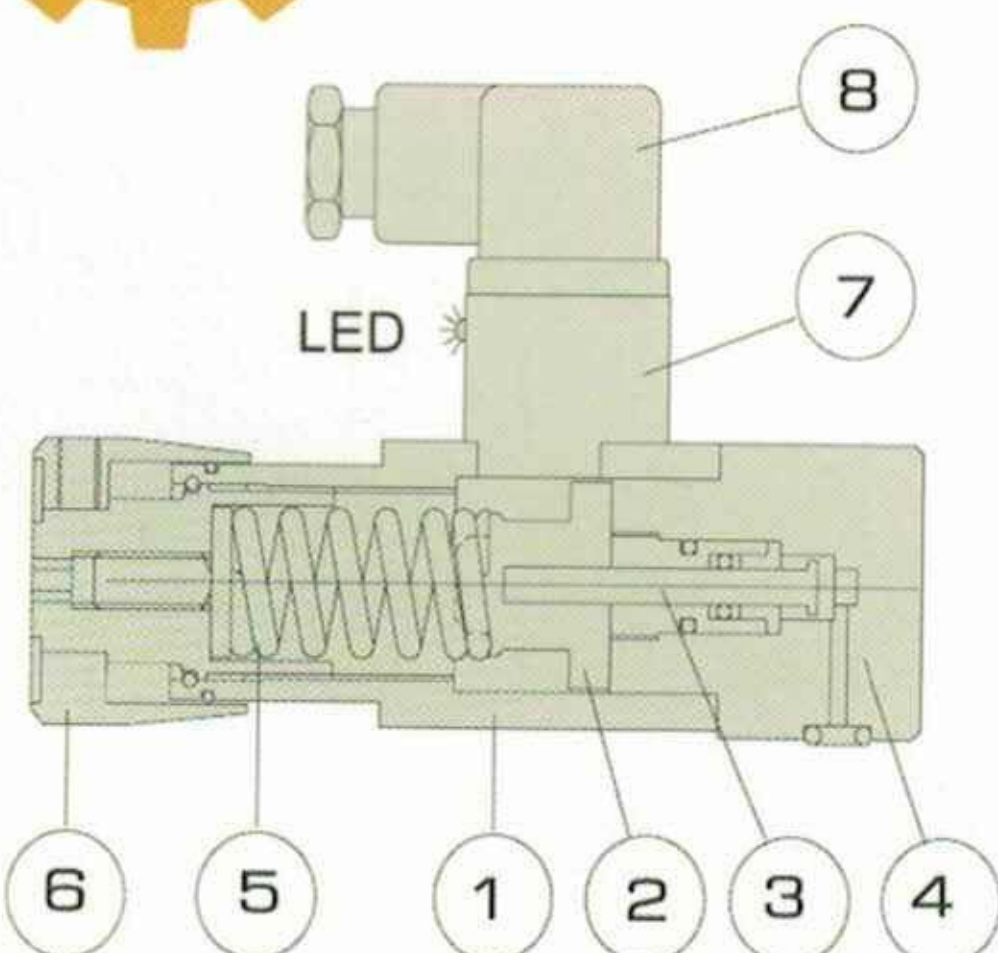
③ 設計資料 / Design Number



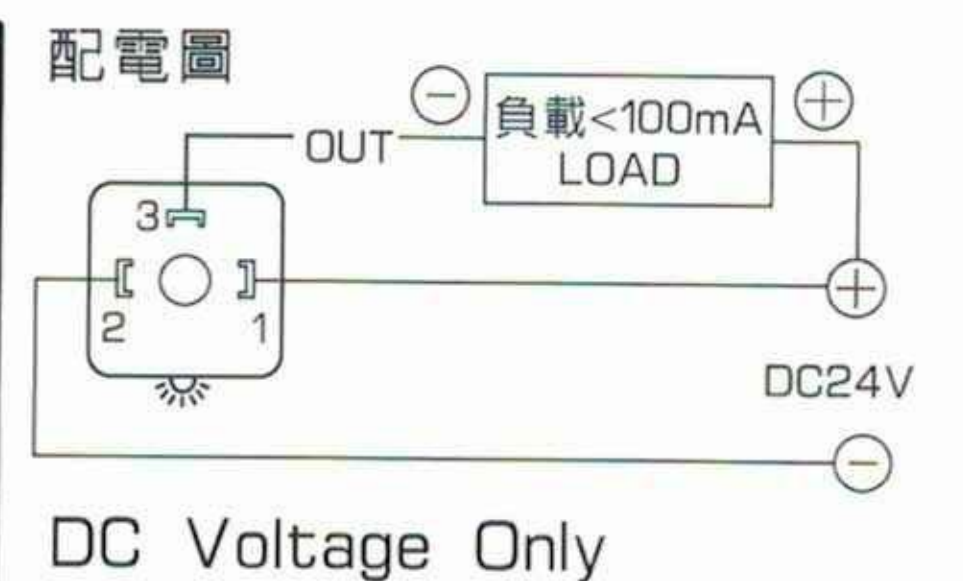
性能圖 / Performance Curves



剖面圖 / Schematic Cross-Section



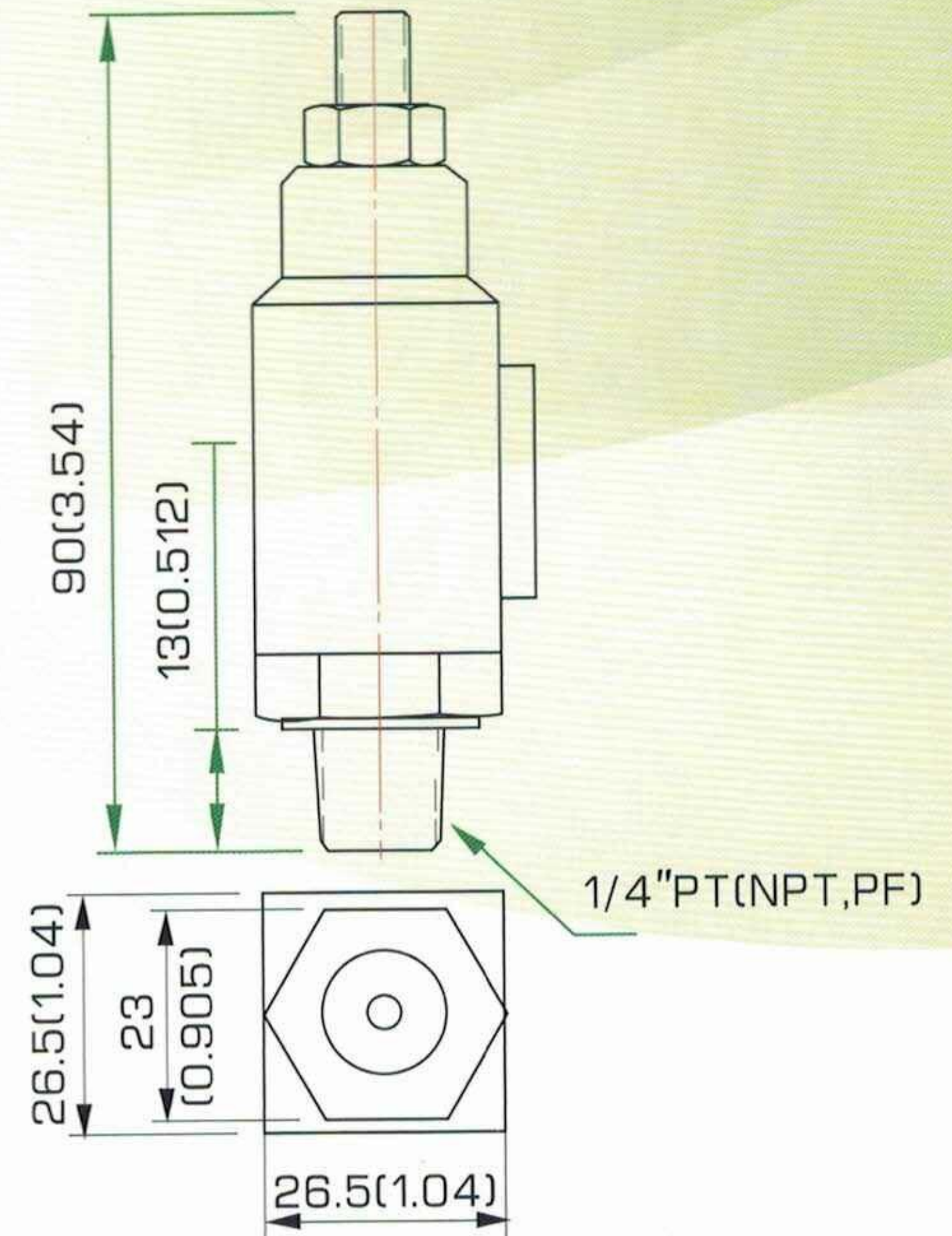
| | | | |
|---|--|---|------------------------------|
| 1 | 本體(鋁合金6061) Housing (Aluminum 6061) | 5 | 彈簧 Spring |
| 2 | 開關感應座 Switch Sensing Block | 6 | 壓力調整鈕 Pressure Adj. Knob |
| 3 | 伺服柱塞 Servo-Piston | 7 | 感應開關 Proximity Sensor |
| 4 | 接管孔口(O-Ring P6) Connection Port (O-Ring P6) | 8 | 電氣接頭 Electrical Connector |



TTC 小型壓力開關 Miniature Pressure Switch



尺寸圖 / Dimension mm(inches)



選購型號 / How to order

TC-250-1

① ② ③

1 型式 / Model

一般型:小型壓力開關
Miniature Pressure Switch

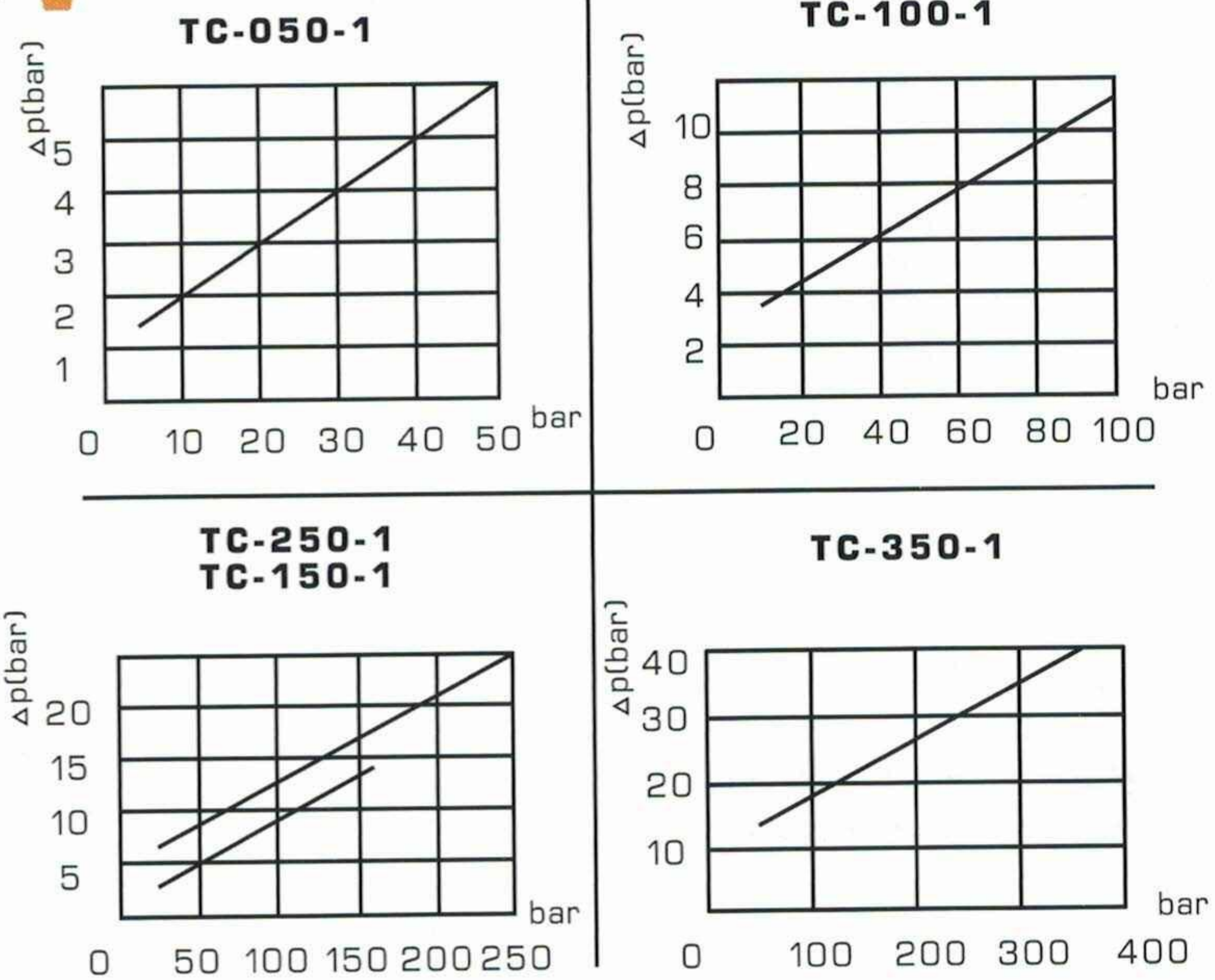
2 壓力範圍 / Pressure Adj. Range

| 型式 Model | 壓力調整範圍 bar Pressure Adj. Range bar | 最高耐壓 bar Max. Pressure bar | 測定壓力 bar Set Pres. bar | 重量 kg Weight |
|-------------|---------------------------------------|-------------------------------|---------------------------|-----------------|
| 050 | 6~50 | 150 | 25 | 0.15 |
| 100 | 10~100 | 300 | 50 | 0.15 |
| 150 | 20~150 | 300 | 70 | 0.15 |
| 250 | 30~250 | 350 | 100 | 0.15 |
| 350 | 40~350 | 400 | 200 | 0.15 |

- 3 1:1/4"PT(RC)
2:1/4"NPT
3:1/4"PF(G)



性能圖 / Performance Curves



油電符號圖 / Graphic Symbol

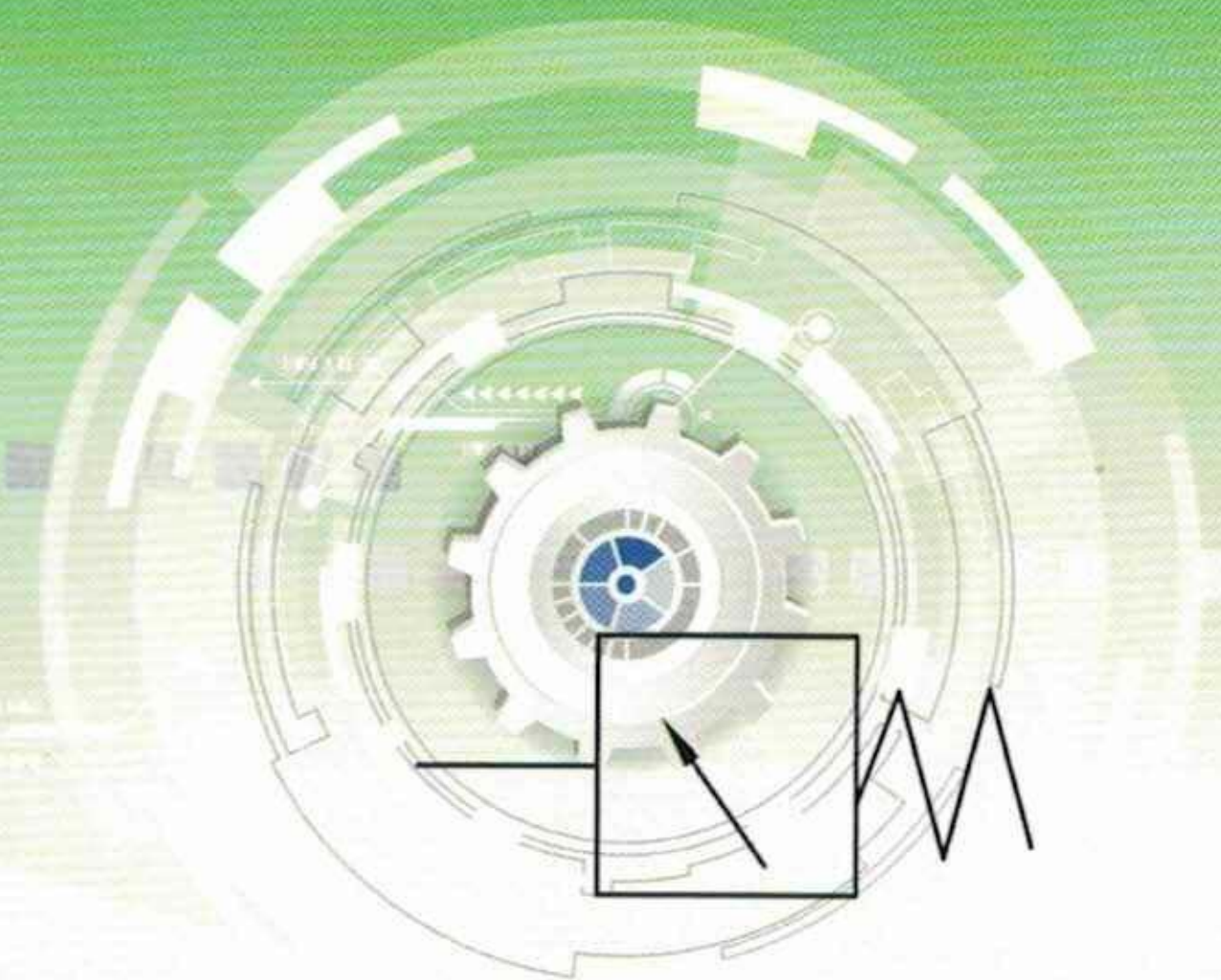


Rating:
3A 250VAC, 0.5A 30VDC

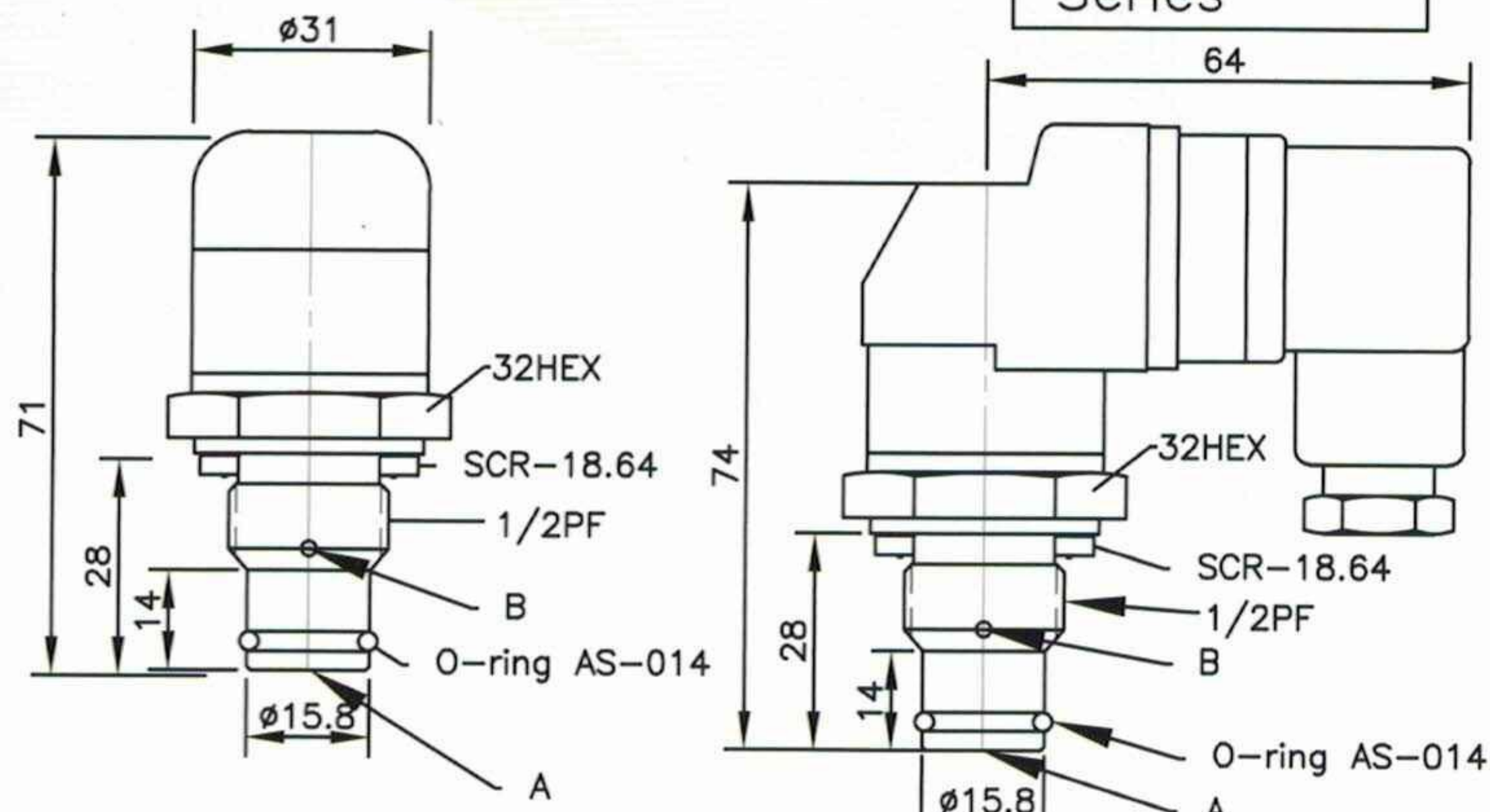
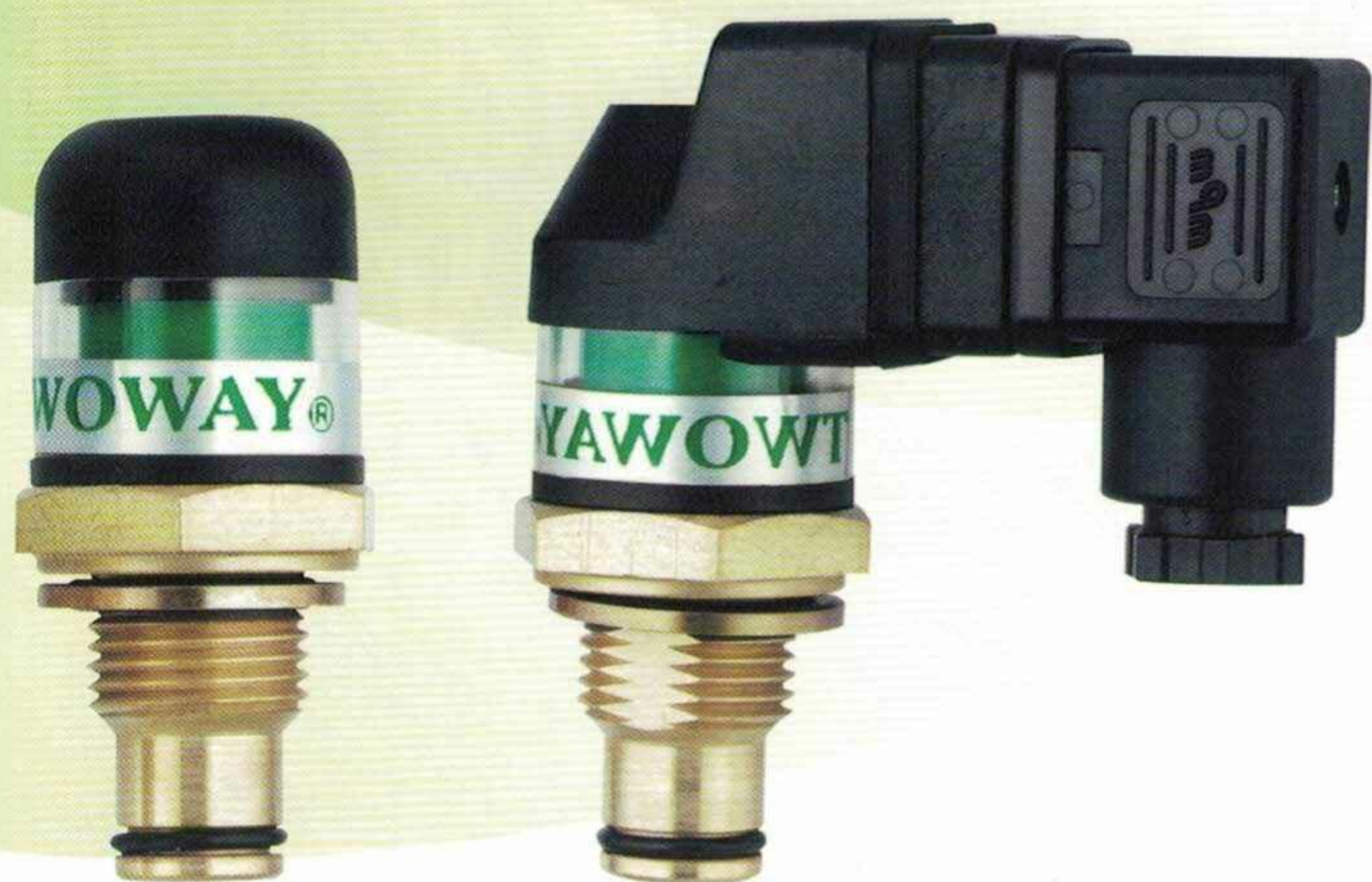
TW

壓差顯示器

Differential Pressure Indicator



尺寸圖 / Dimension mm(inches)



選購型號 / How to order

TW-V5A-05

① ② ③ ④ ⑤

1 型式 / Model

2 V=紅綠兩色壓差顯示 Visual indicator

S=紅綠兩色+訊號輸出壓差顯示

Visual-Electrical indicator

3 動作壓力 / React to the pressure differential

1.5=1.5 bar (22psi)

3=3 bar (43.5psi)

5=5 bar (72.5psi)

7=7 bar (101.5psi)

10=10 bar (145psi)

4 感壓孔口A / Reaction to the A port

感壓孔口B / Reaction to the B port

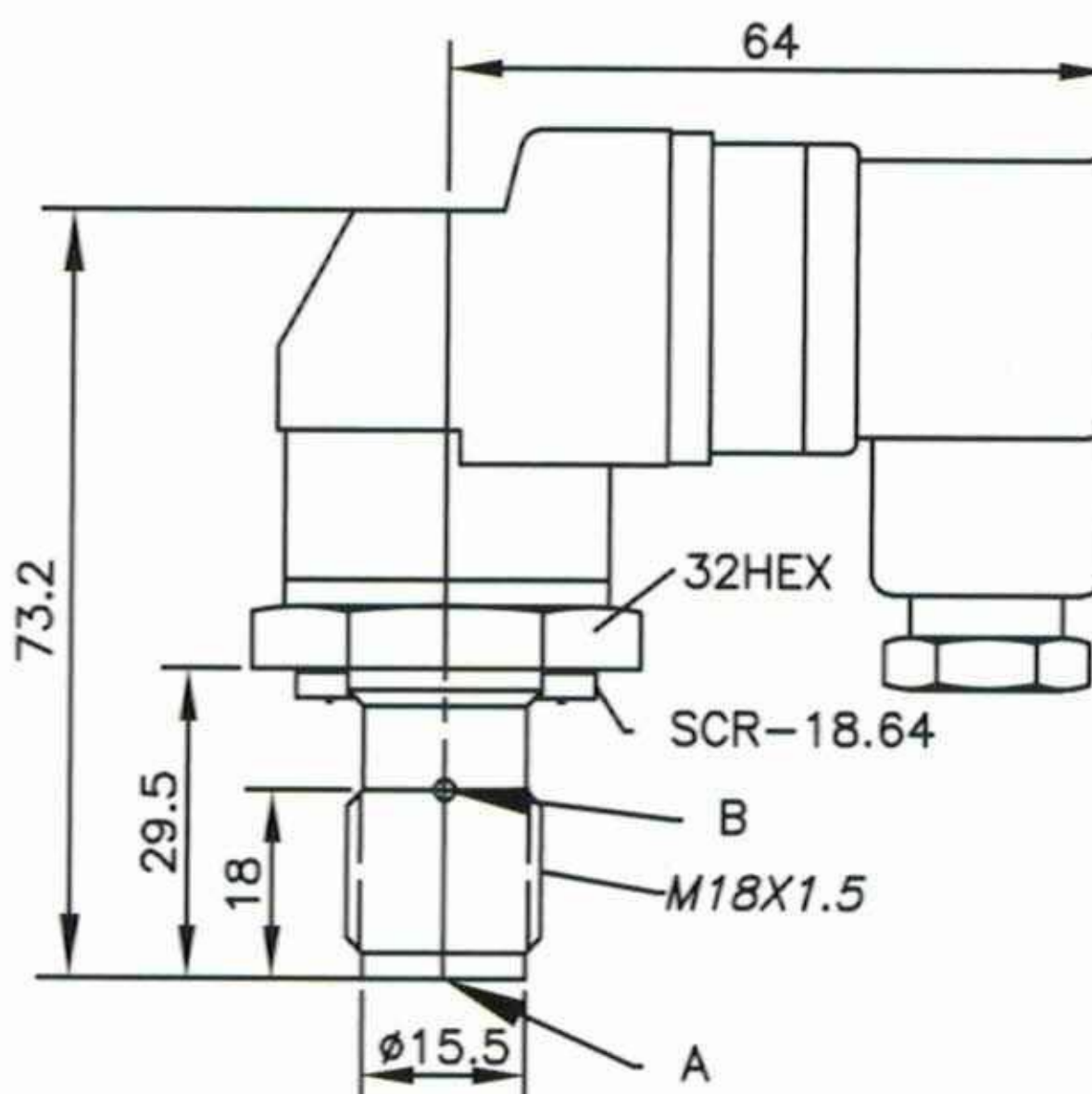
5 05=1/2 PF

18=M18X1.5

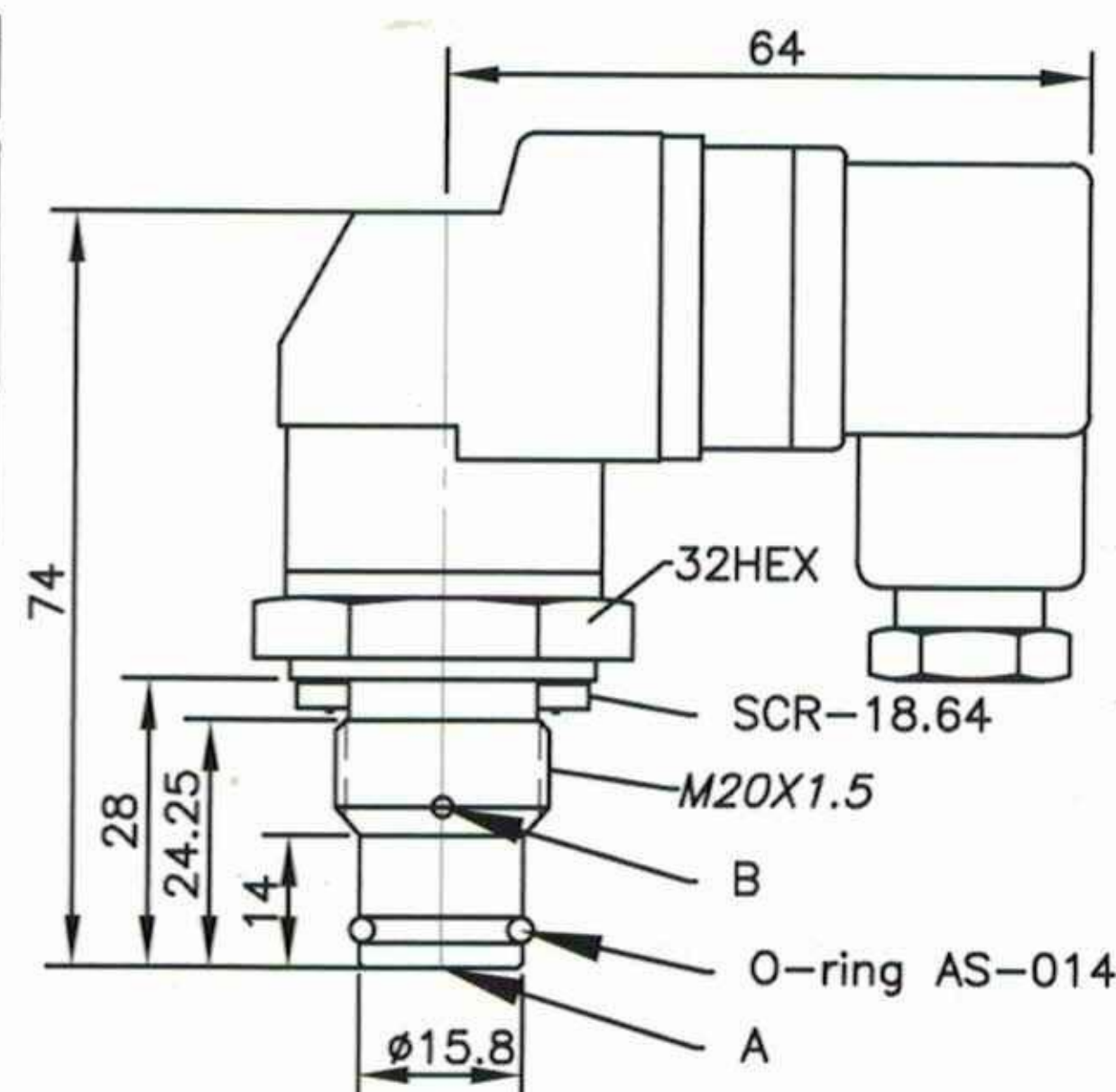
20=M20X1.5

W6=7/8-14UNF

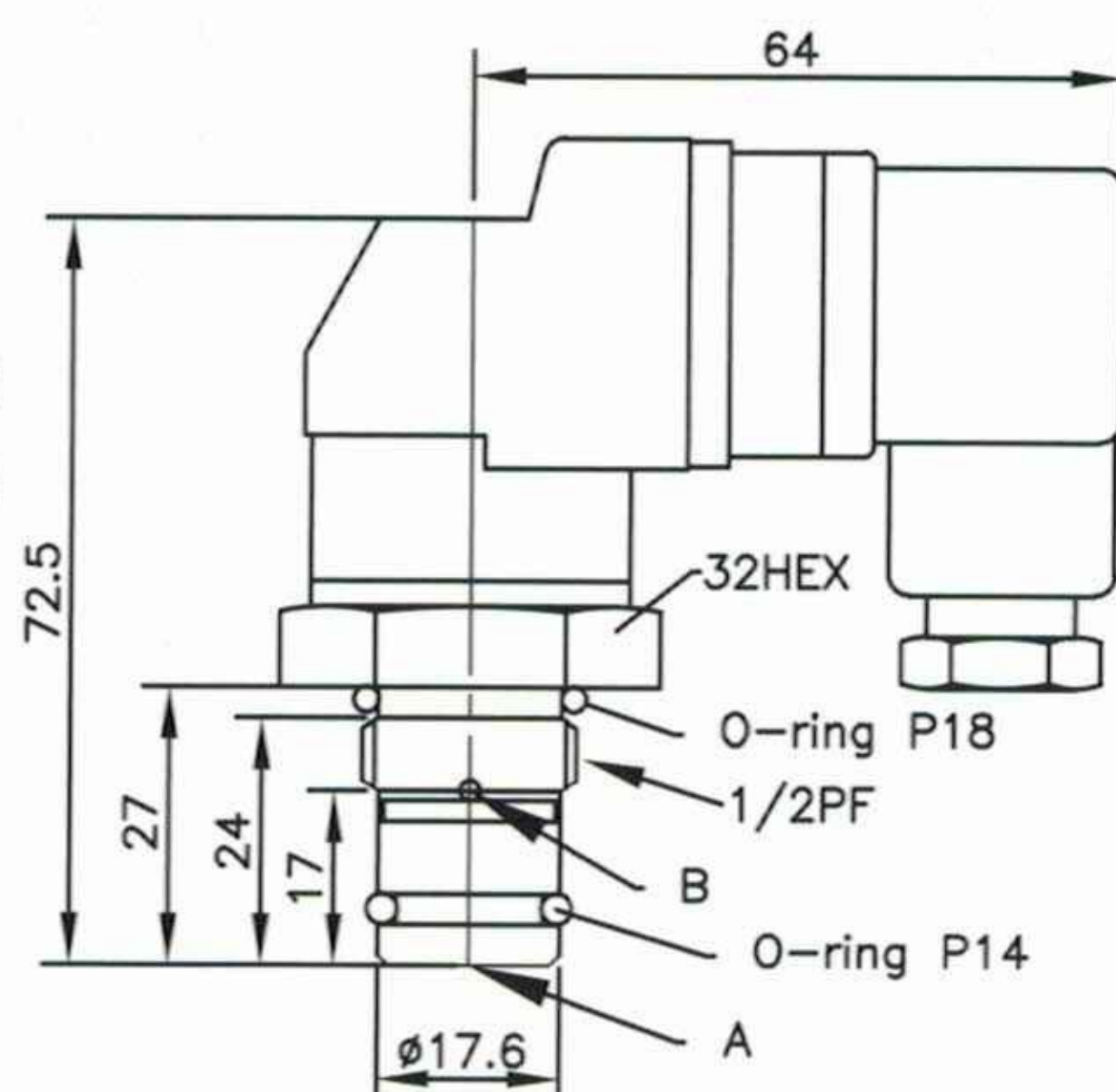
TW-***-18 Series



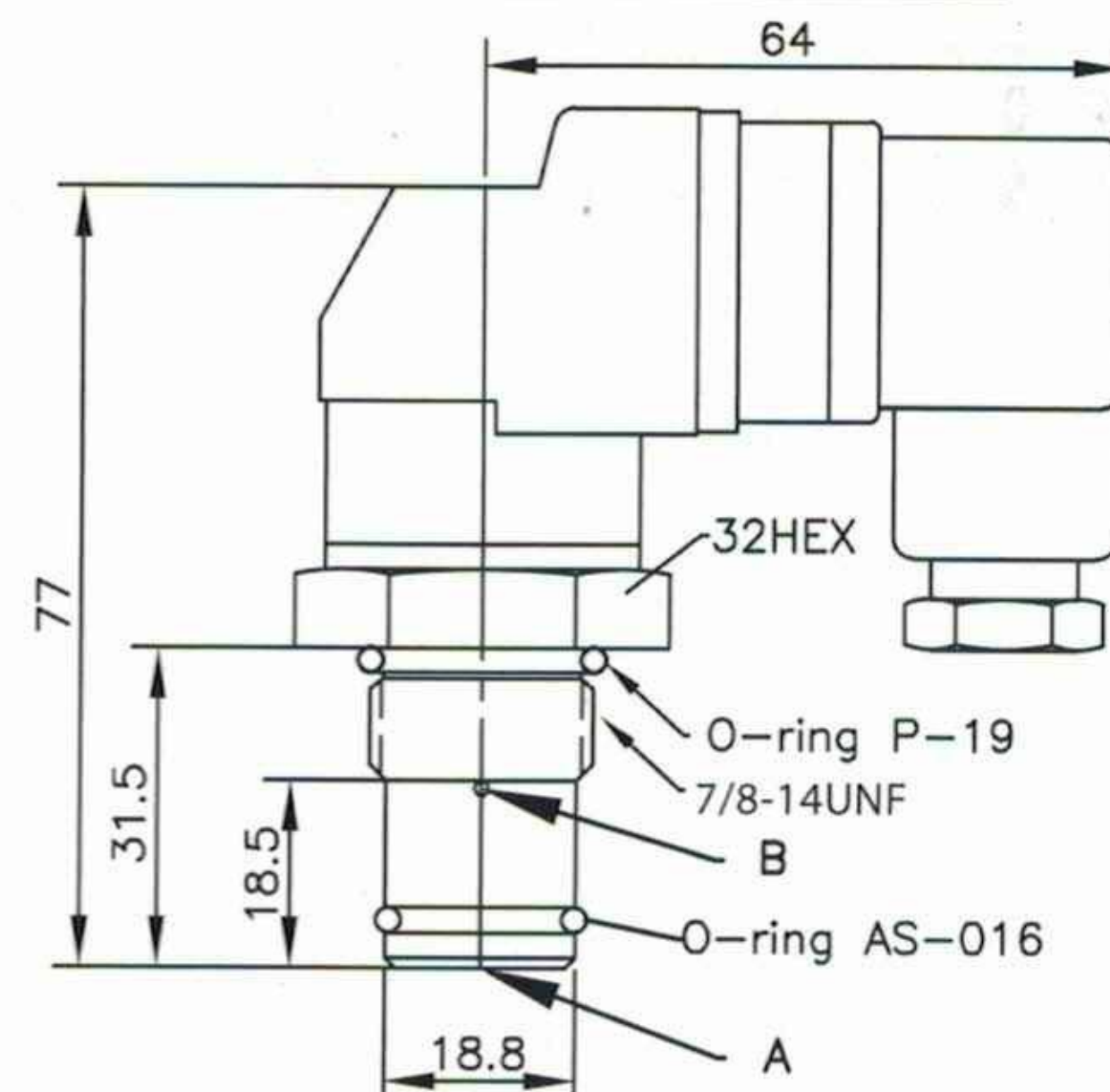
TW-***-20 Series



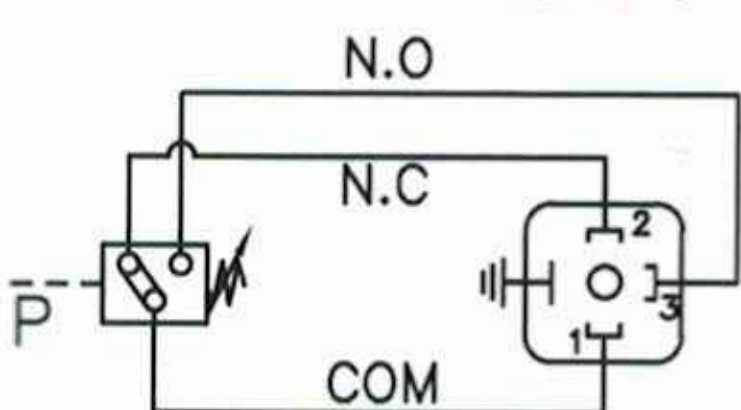
TW-***-05J Series



TW-***-W6 Series



油電符號表 / Graphic Symbol



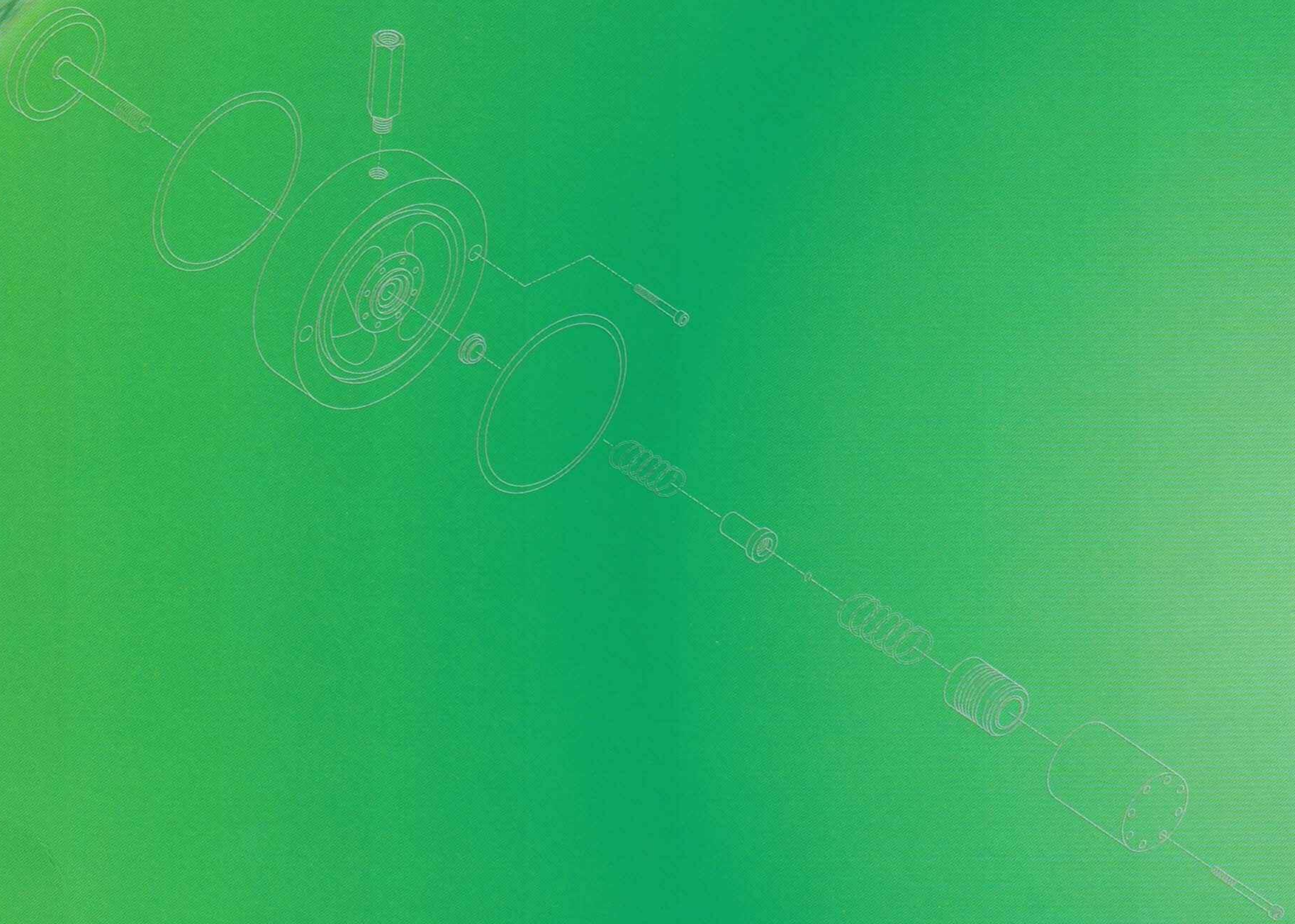
Rating:

3A 250VAC, 0.5A 30VDC

N.O=Normally open

N.C=Normally close

0010101010010101011001110101001110100101010100101010110011101001110100101010100011110010



代理商/Distributor :

www.taicoln.com